

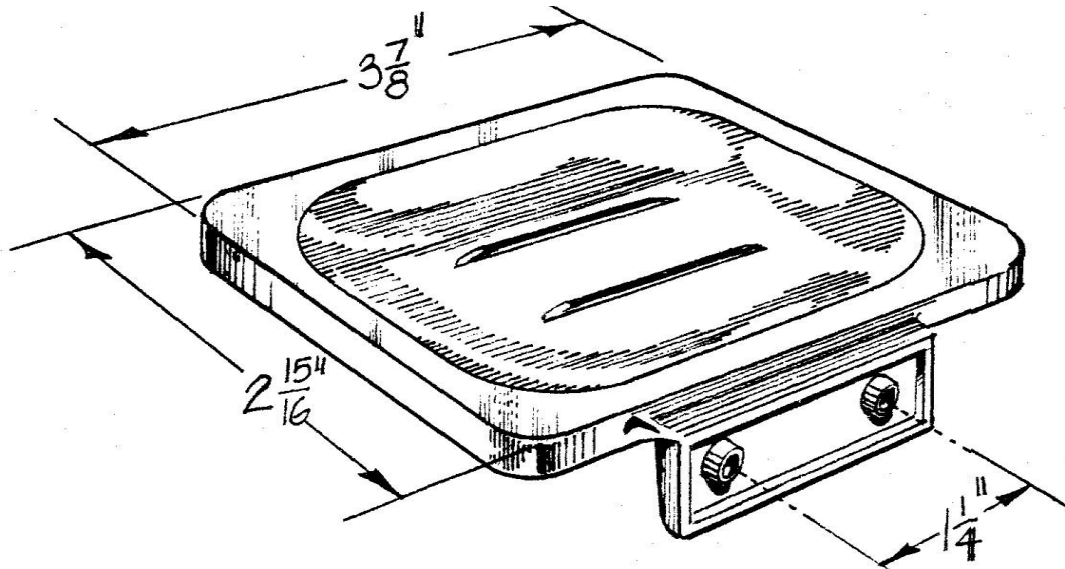
BASCO TECHNICAL DATA SHEET

515

CONTEMPO CHROME BATH
ACCESSORIES

CHROME SOAP HOLDER

INSTALLATION DIAGRAM



THE EXPOSED MOUNTING SYSTEM:

ALL EXPOSED METAL SUPPORTING PARTS TO BE ZAMAC (ZINK DIE-CAST) AND PROVIDE FOR POSITIVE ATTACHMENT DIRECTLY TO WALL OR SUPPORTING SURFACE.

THE MANUFACTURER RESERVES THE RIGHT TO MAKE CHANGES AND IMPROVEMENTS IN DESIGN WITHOUT FORMAL NOTICE.