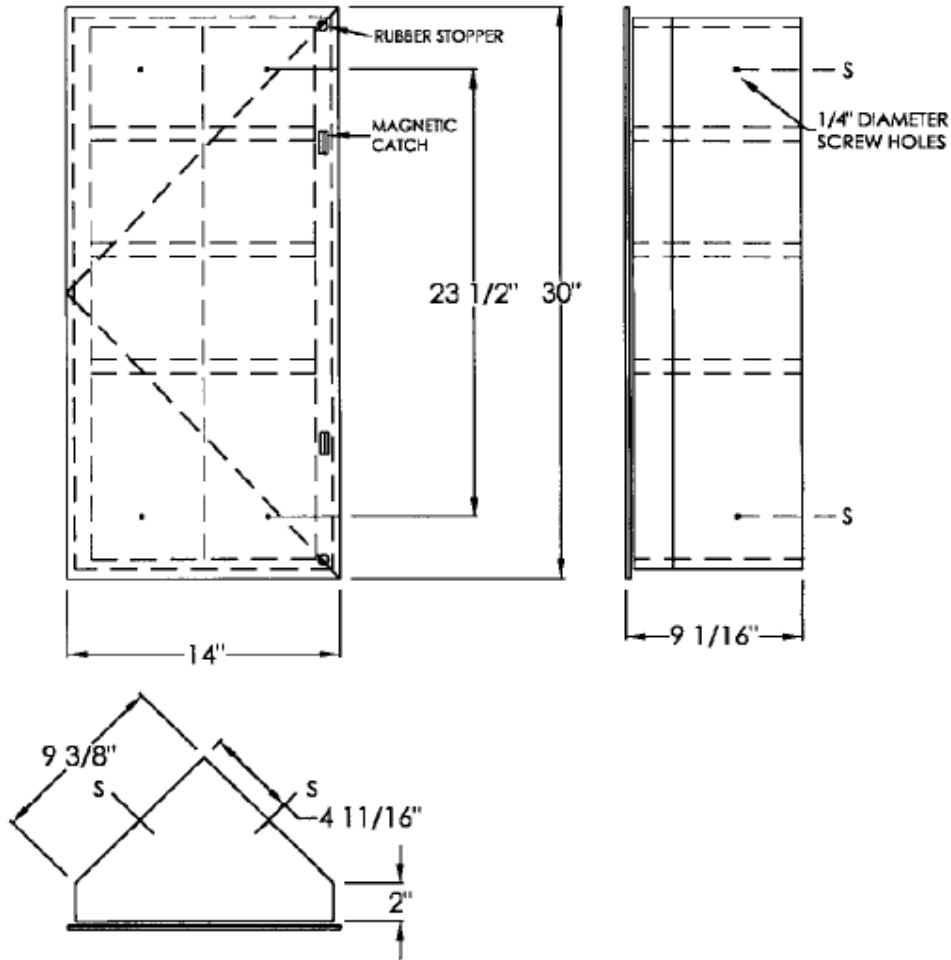


BASCO TECHNICAL DATA SHEET

CR SERIES
6/23/99

CORNER MEDICINE CABINET MODELS



Polished Stainless Steel Frame	Frameless Polished Edge Mirror	Beveled Frameless Polished Edge Mirror	Overall Size (W x H x W)	Adjustable Glass Shelves
CR1430-W	CR1430PE-W	CR1430BV-W	14" X 30"	2
CR1436-W	CR1436PE-W	CR1436BV-W	14" X 36"	3
CR1442-W	CR1442PE-W	CR1442BV-W	14" X 42"	4

BODY: HEAVY 20 GAUGE PRIME SHEETS OF COLD ROLLED STEEL

DOOR: HEAVY 20 GAUGE PRIME COLD ROLLED STEEL EQUIPPED WITH INVISIBLE EUROPEAN STYLE CABINET HINGES MAGNETIC CATCH(S) AND RUBBER DOOR SILENCERS. DOOR IS FIELD REMOVEABLE AND REPLACEABLE.

FINISH: BONDERIZED AFTER FORMING TO RESIST RUST AND SPRAYED WITH A SPECIAL WHITE ENAMEL, BAKED ON AT HIGH TEMPERATURE FOR DURABILITY.

MIRRORS: 3/16" FIRST QUALITY PLATE GLASS, WITH TWO COATS OF SILVER. THEN ELECTROLYTICALLY COPPER CLAD AS DEFINED IN U.S. COMMERCIAL STANDARD CS-27-36. WARRANTIED FOR 5 YEARS AGAINST SILVERING DEFECTS.

SHELVES: GLASS, ADJUSTABLE 1/4" THICK WITH POLISHED FRONT EDGE.