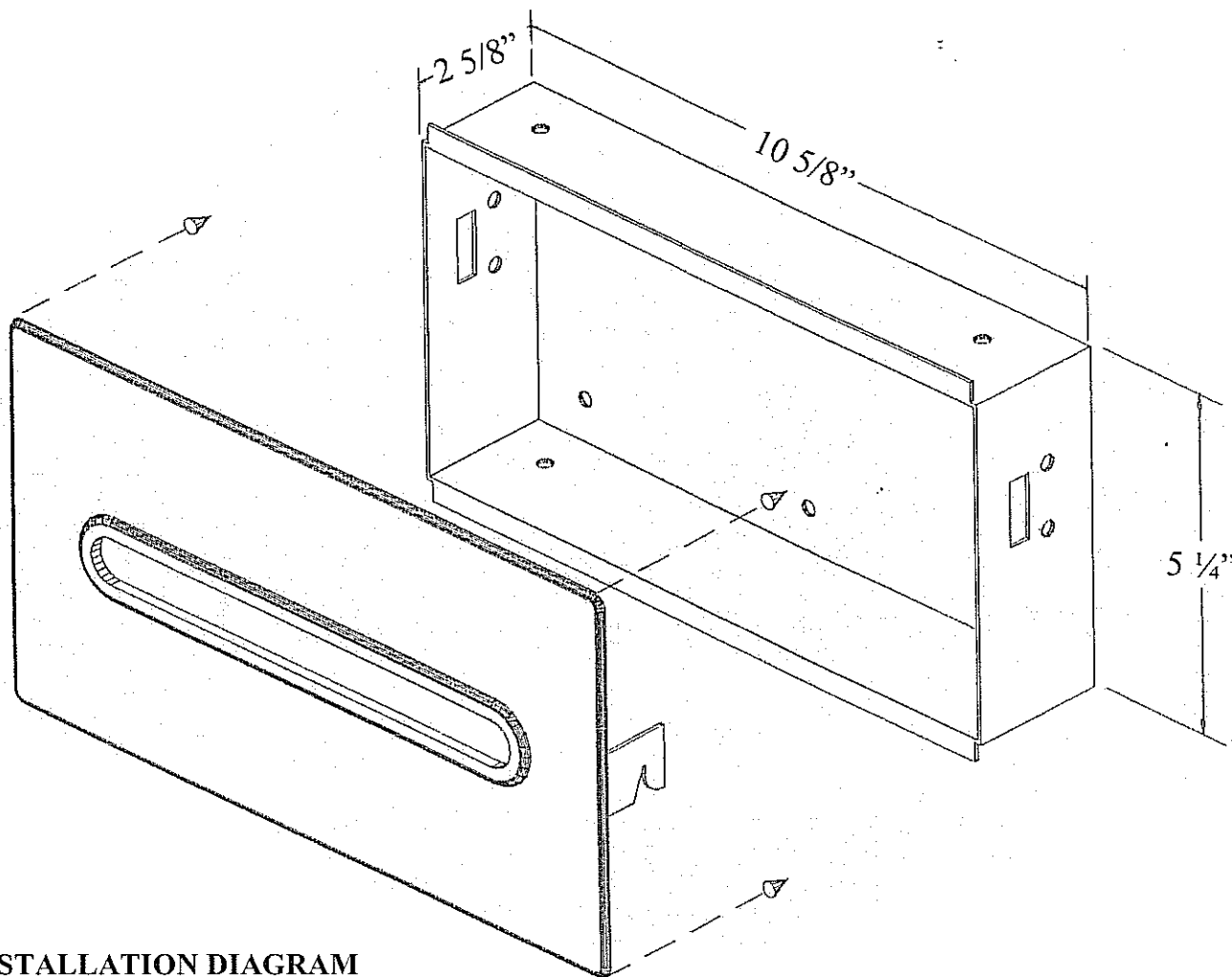




BUILDING ACCESSORIES SALES CO.
 40 AERO ROAD, PO BOX 237- BOHEMIA, NY 11716
 TEL: (631) 567-4404 FAX: (631) 567-4815

MODEL NO: **7925C**
 ISSUED: 12/15/2005
 REVISED:

RECESSED FACIAL TISSUE DISPENSER



INSTALLATION DIAGRAM

CONSTRUCTION	Faceplate fabricated of Stainless steel
CAPACITY	One box of 200 facial tissues
OPERATION	Snap-on cover
SPECIFICATION	Recessed facial tissue dispenser snap-on cover shall be fabricated of stainless steel.
ROUGH OPENING	10 5/8" W X 5 1/4" H X 2 5/8" D
OVERALL SIZE	11 3/4" W X 6 1/4" H X 2 5/8" D

REFERENCE:	QTY:	REMARKS:	PROJECT:
Note #:			ARCHITECT: SUBMITTED BY: ON: / / APPROVED: YES NO

THE MANUFACTURER RESERVES THE RIGHT TO MAKE CHANGES IN DESIGN OR DIMENSIONS WITHOUT FORMAL NOTICE