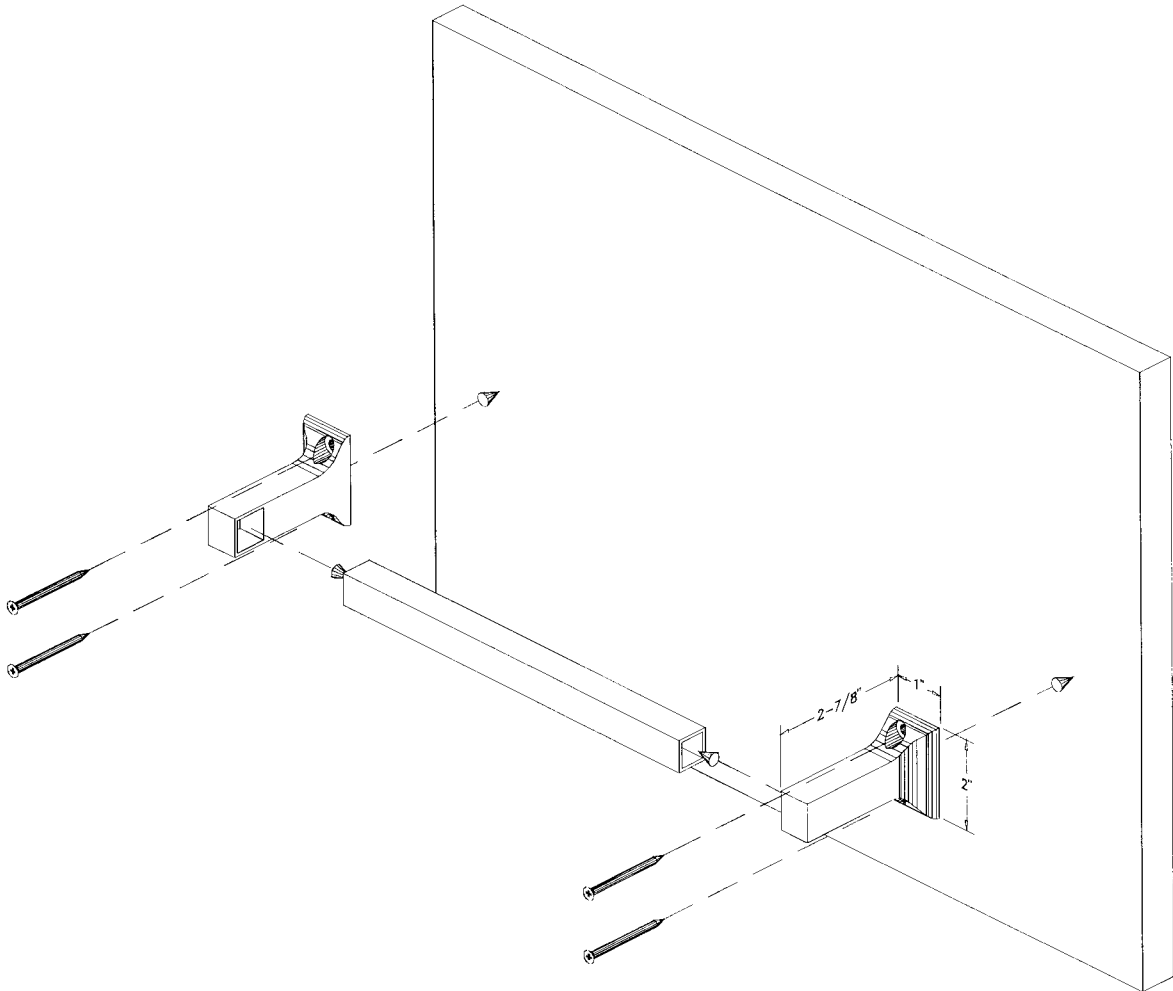


BASCO TECHNICAL DATA SHEET

CONTEMPO CHROME
BATH ACCESSORIES

5/8" SQUARE POLISHED STAINLESS
STEEL TOWEL BAR SET

5518 - 18" LONG
5524 - 24" LONG
5530 - 30" LONG
5536 - 36" LONG



INSTALLATION DIAGRAM

THE EXPOSED MOUNTING SYSTEM:

ALL EXPOSED METAL SUPPORTING PARTS TO BE DIECAST ZAMAC AND PROVIDE FOR POSITIVE ATTACHMENT DIRECTLY TO WALL OR SUPPORTING SURFACE.