

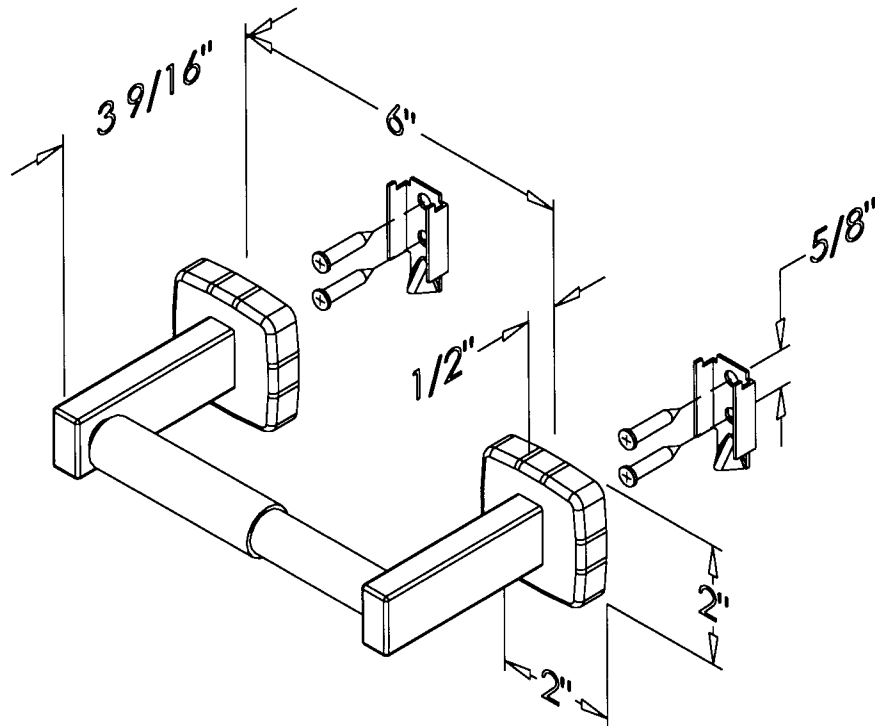
# BASCO TECHNICAL DATA SHEET

# 1630/1631

EUROPA II STAINLESS  
STEEL BATH  
ACCESSORIES

TOILET PAPER HOLDER

7/16/99



THE EUROPA II SERIES BATH ACCESSORIES ARE FABRICATED OF TYPE 304 STAINLESS STEEL AND ARE AVAILABLE IN THE FOLLOWING FINISHES:

- BRIGHT POLISHED
- SATIN FINISH
- BRONZE FINISH
- POLISHED BRASS

MODEL 1630 COMES WITH A PLATIC ROLLER AND MODEL 1631 COMES WITH A CHROME ROLLER.

**FINISH**

BRIGHT POLISHED  
SATIN FINISH  
BRONZE FINISH  
POLISHED BRASS

**ADD SUFFIX**

**TO PART NUMBER**

P  
S  
BZ  
PB

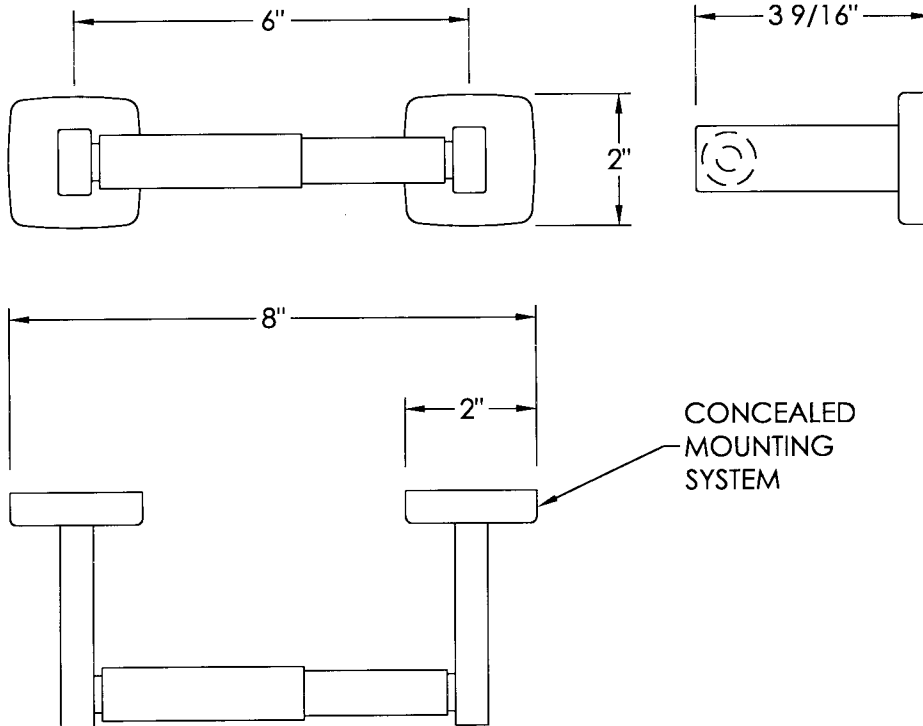
# BASCO TECHNICAL DATA SHEET

# 1630/1631

EUROPA II STAINLESS  
STEEL BATH  
ACCESSORIES

TOILET PAPER HOLDER

7/16/99



THE EUROPA II SERIES BATH ACCESSORIES ARE FABRICATED OF TYPE 304 STAINLESS STEEL AND ARE AVAILABLE IN THE FOLLOWING FINISHES:

- BRIGHT POLISHED
- SATIN FINISH
- BRONZE FINISH
- POLISHED BRASS

MODEL 1630 COMES WITH A PLATIC ROLLER AND MODEL 1631 COMES WITH A CHROME ROLLER.

## FINISH

BRIGHT POLISHED  
SATIN FINISH  
BRONZE FINISH  
POLISHED BRASS

## ADD SUFFIX

### TO PART NUMBER

P  
S  
BZ  
PB