

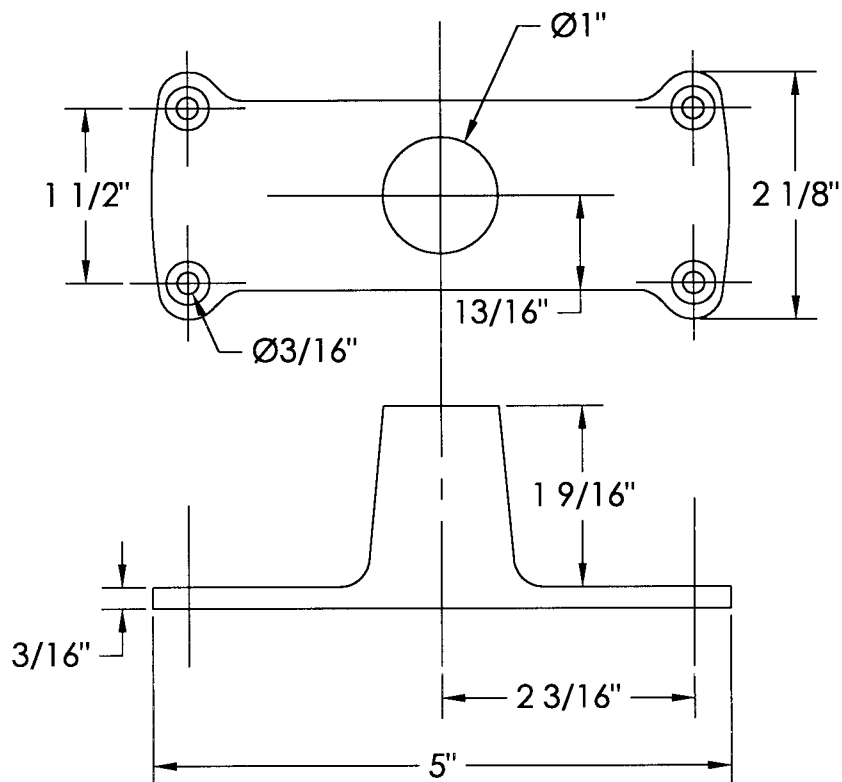
BASCO TECHNICAL DATA SHEET

1235B

5/25/99

SHOWER ROD
END FLANGES

JUMBO EXPOSED SCREW
CHROME PLTD. STEEL



Flange has a hole diameter of 1". It is 5" long, 2 1/8" wide, and sits at a depth of 1 9/16". Screw holes are 3/16" diameter, are 1 1/2" apart vertically and are 4 3/8" apart horizontally.

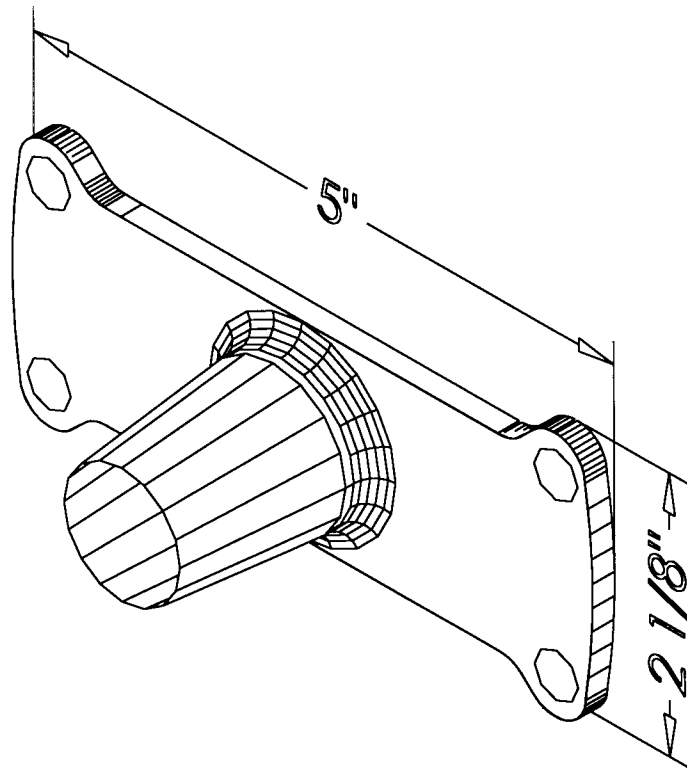
BASCO TECHNICAL DATA SHEET

1235B

5/25/99

SHOWER ROD
END FLANGES

JUMBO EXPOSED SCREW
CHROME PLTD. STEEL



Flange has a hole diameter of 1". It is 5" long, 2 1/8" wide, and sits at a depth of 1 9/16". Screw holes are 3/16" diameter, are 1 1/2" apart vertically and are 4 3/8" apart horizontally.