

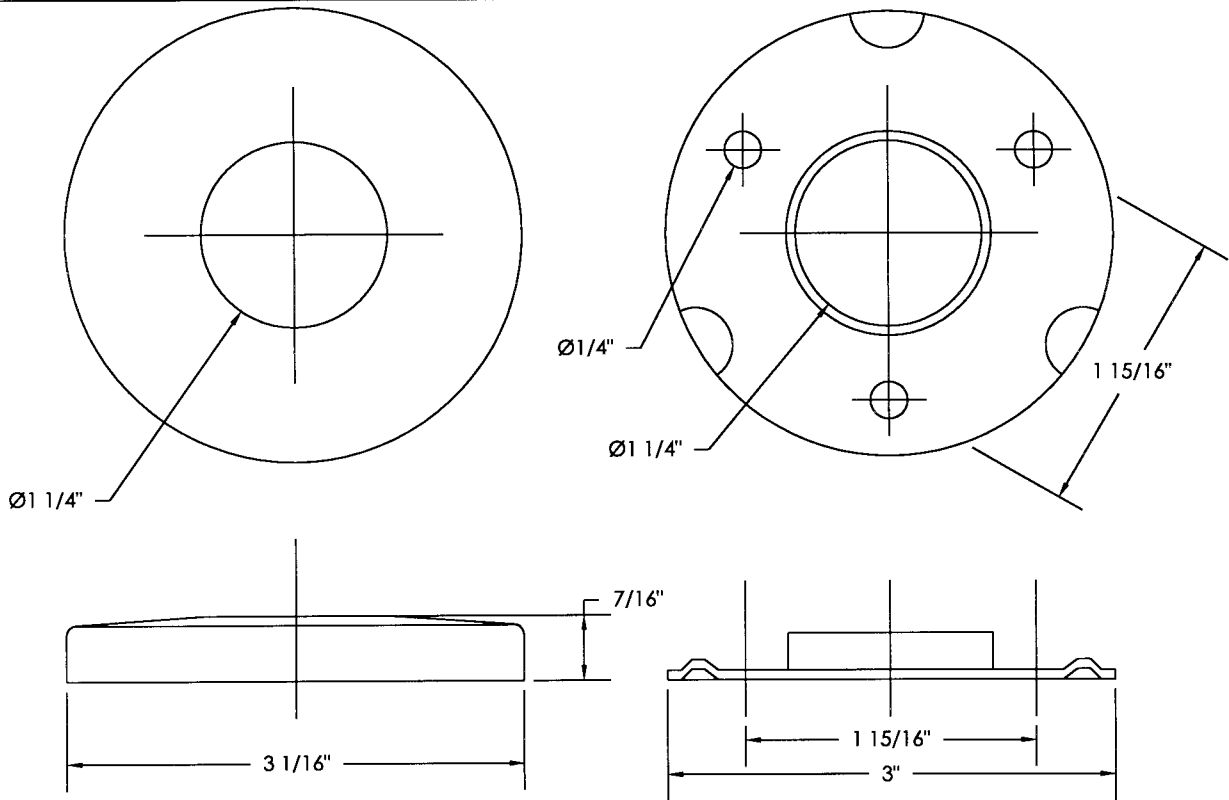
# BASCO TECHNICAL DATA SHEET

# 1230B

5/27/99

SHOWER ROD  
END FLANGES

CONCEALED SCREW  
STAINLESS STEEL



Flange has a hole diameter of  $1\frac{1}{4}"$  and an outer diameter of  $3\frac{1}{16}"$ .  
Screw holes are  $\frac{1}{4}"$  in diameter and are equilaterally spaced at  $1\frac{15}{16}"$  apart. Flange sits at a depth of  $\frac{7}{16}"$ .

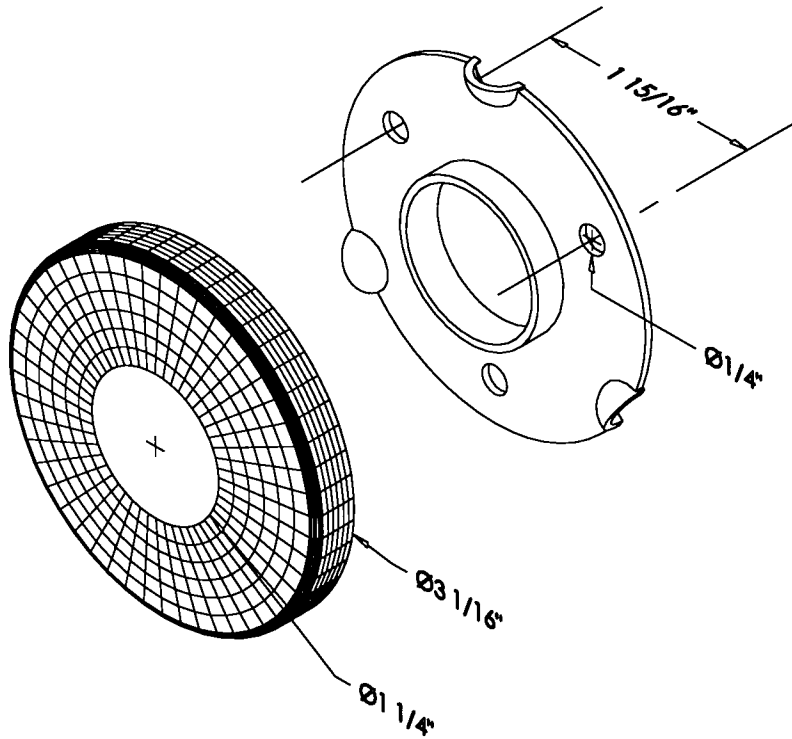
# BASCO TECHNICAL DATA SHEET

# 1230B

5/27/99

SHOWER ROD  
END FLANGES

CONCEALED SCREW  
STAINLESS STEEL



Flange has a hole diameter of  $1 \frac{1}{4}$ " and an outer diameter of  $3 \frac{1}{16}$ ".  
Screw holes are  $\frac{1}{4}$ " in diameter and are equilaterally spaced at  $1 \frac{15}{16}$ "  
apart. Flange sits at a depth of  $\frac{7}{16}$ ".