

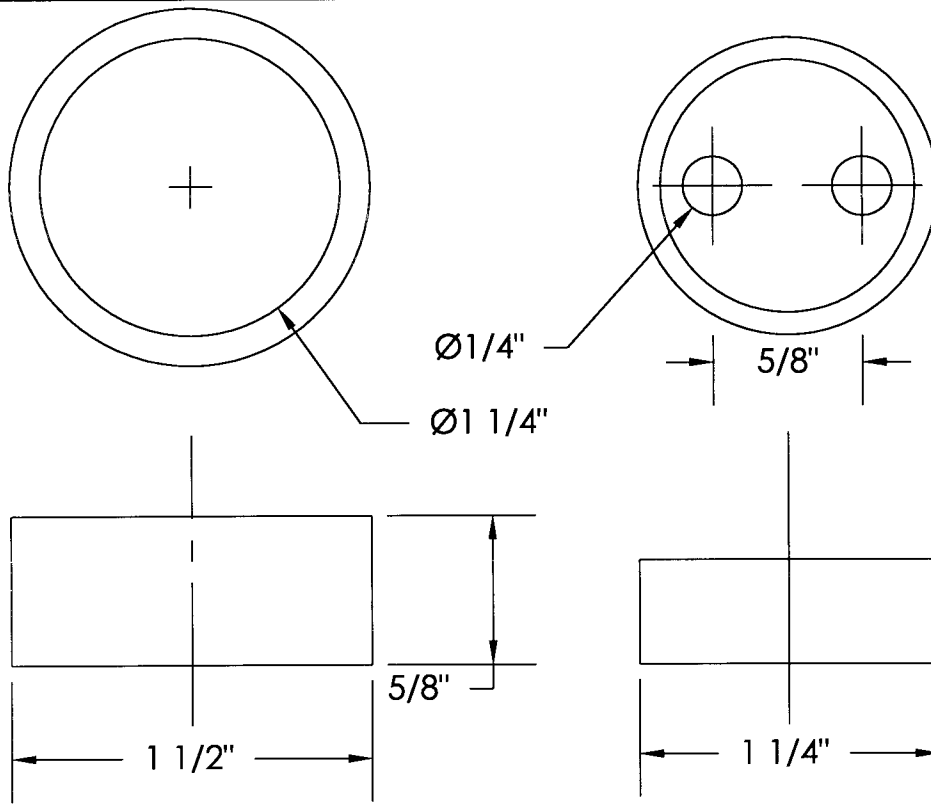
BASCO TECHNICAL DATA SHEET

1209B

5/27/99

SHOWER ROD
END FLANGES

CONCEALED SCREW,
CHROME PLATED BRASS



Flange has a hole diameter of $1\ 1/4''$ and an outer diameter of $1\ 1/2''$. It sits at a depth of $5/8''$. The screw holes are $1/4''$ diameter and are $5/8''$ apart.

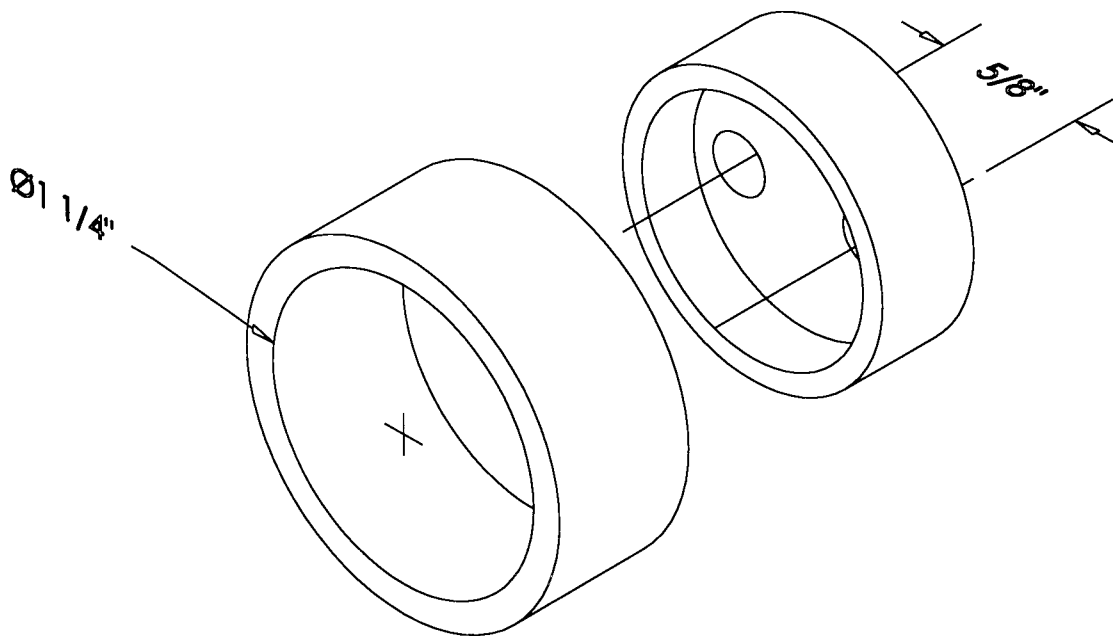
BASCO TECHNICAL DATA SHEET

1209B

5/27/99

SHOWER ROD
END FLANGES

CONCEALED SCREW,
CHROME PLATED BRASS



Flange has a hole diameter of $1 \frac{1}{4}"$ and an outer diameter of $1 \frac{1}{2}"$. It sits at a depth of $\frac{5}{8}"$. The screw holes are $\frac{1}{4}"$ diameter and are $\frac{5}{8}"$ apart.