

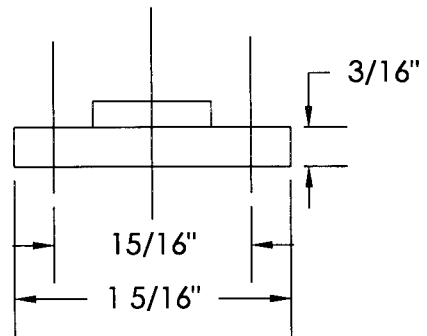
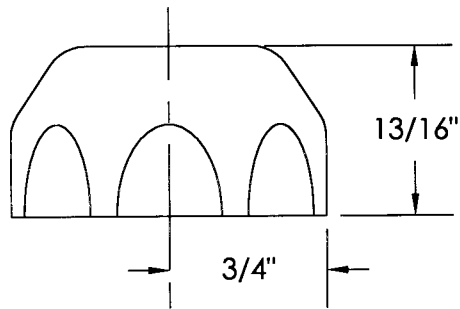
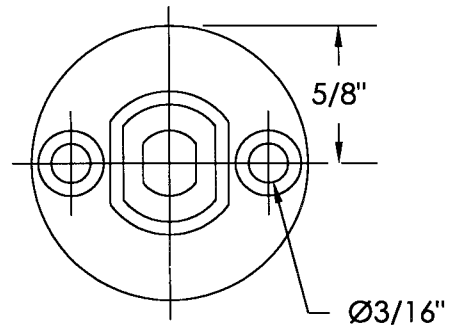
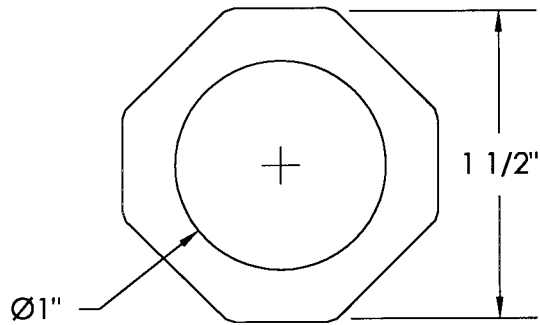
BASCO TECHNICAL DATA SHEET

1208B

5/26/99

SHOWER ROD
END FLANGES

CONCEALED SCREW
CHROME PLTD. BRASS



One inch diameter hole. The cover fixture has a diameter of $1\frac{5}{16}''$ and sits at a depth of $\frac{13}{16}''$. Screw holes have a diameter of $\frac{3}{16}''$ and are $\frac{15}{16}''$ apart.

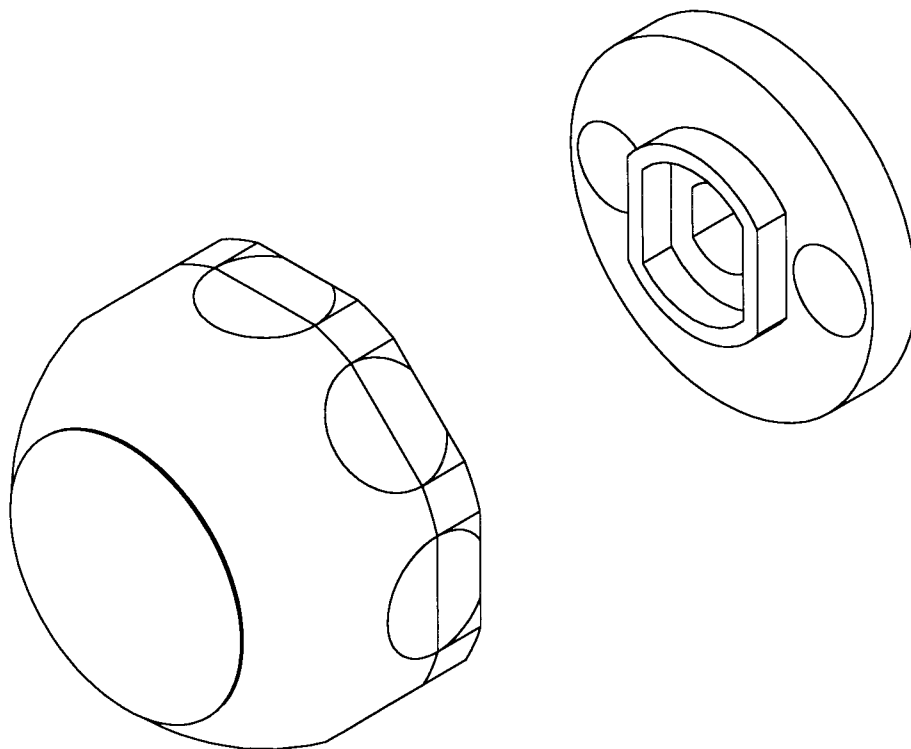
BASCO TECHNICAL DATA SHEET

1208B

5/26/99

SHOWER ROD
END FLANGES

CONCEALED SCREW
CHROME PLTD. BRASS



One inch diameter hole. The cover fixture has a diameter of $1 \frac{5}{16}$ " and sits at a depth of $\frac{13}{16}$ ". Screw holes have a diameter of $\frac{3}{16}$ " and are $\frac{15}{16}$ " apart.