

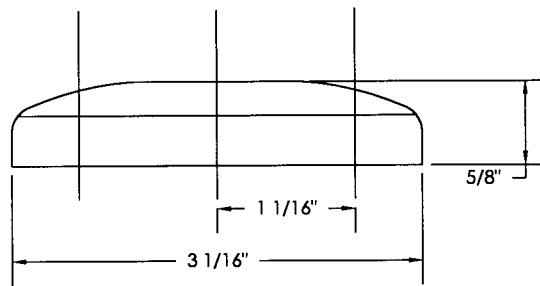
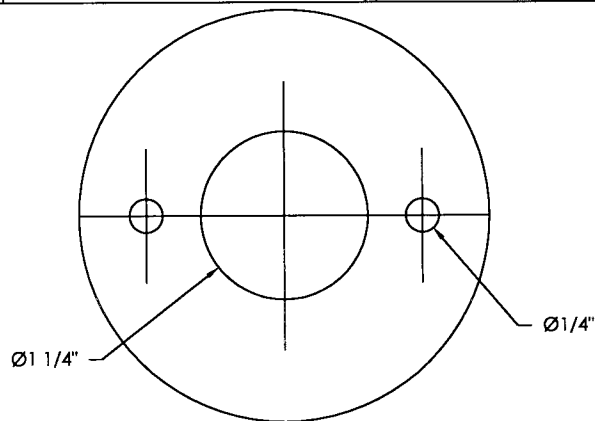
BASCO TECHNICAL DATA SHEET

1205B

5/27/99

SHOWER ROD
END FLANGES

EXPOSED SCREW
POLISHED STAINLESS STEEL



Flange has a hole diameter of 1 1/4" and an outer diameter of 3 1/16".
Screw holes are 1/4" in diameter and are spaced at 2 2/16" apart.
Flange sits at a depth of 5/8".

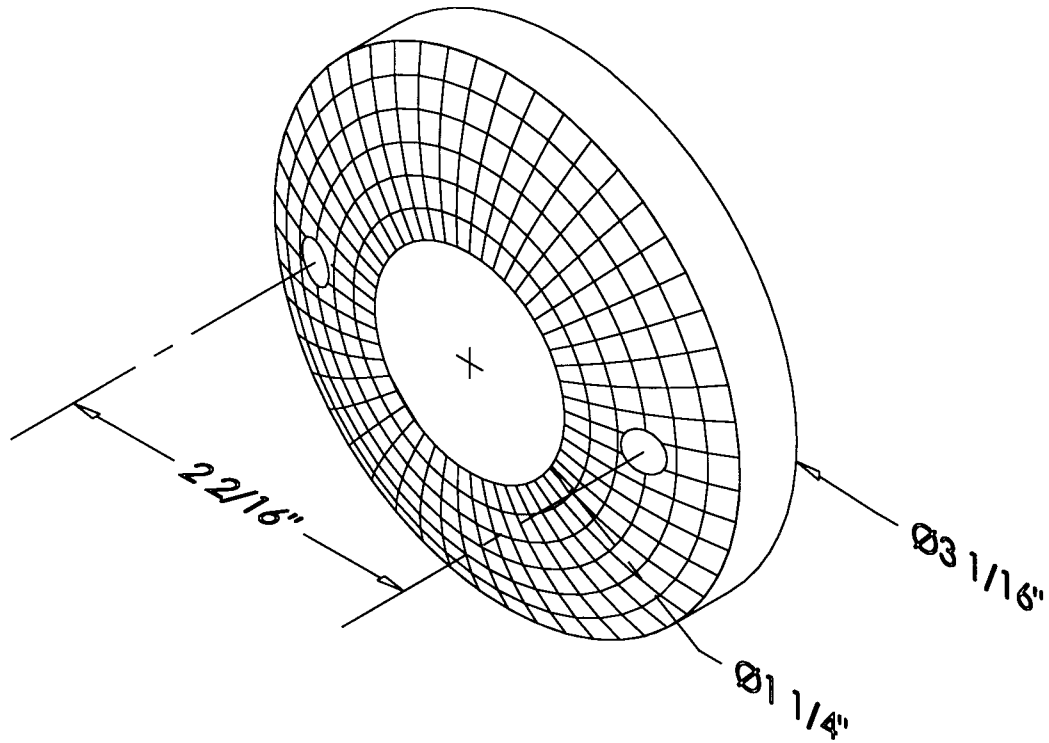
BASCO TECHNICAL DATA SHEET

1205B

5/27/99

SHOWER ROD
END FLANGES

EXPOSED SCREW
POLISHED STAINLESS STEEL



Flange has a hole diameter of $1 \frac{1}{4}$ " and an outer diameter of $3 \frac{1}{16}$ ".
Screw holes are $\frac{1}{4}$ " in diameter and are spaced at $2 \frac{2}{16}$ " apart.
Flange sits at a depth of $\frac{5}{8}$ ".