

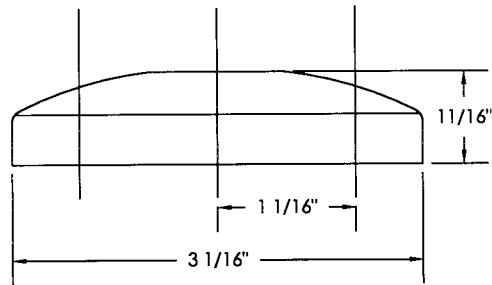
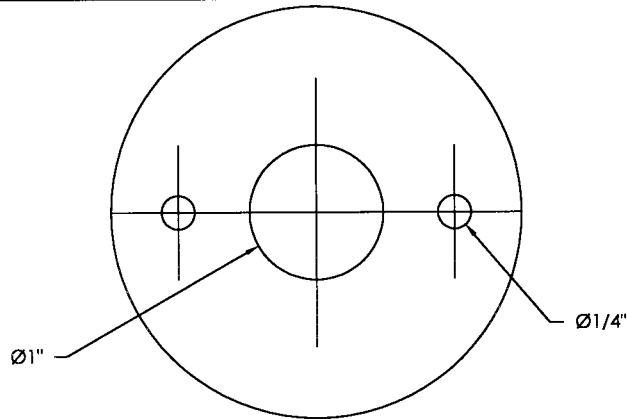
BASCO TECHNICAL DATA SHEET

1204B

5/27/99

SHOWER ROD
END FLANGES

EXPOSED SCREW
POLISHED STAINLESS STEEL



Flange has a hole diameter of 1" and an outer diameter of 3 1/16".
Screw holes are 1/4" in diameter and are spaced at 2 2/16" apart.
Flange sits at a depth of 1 1/16".

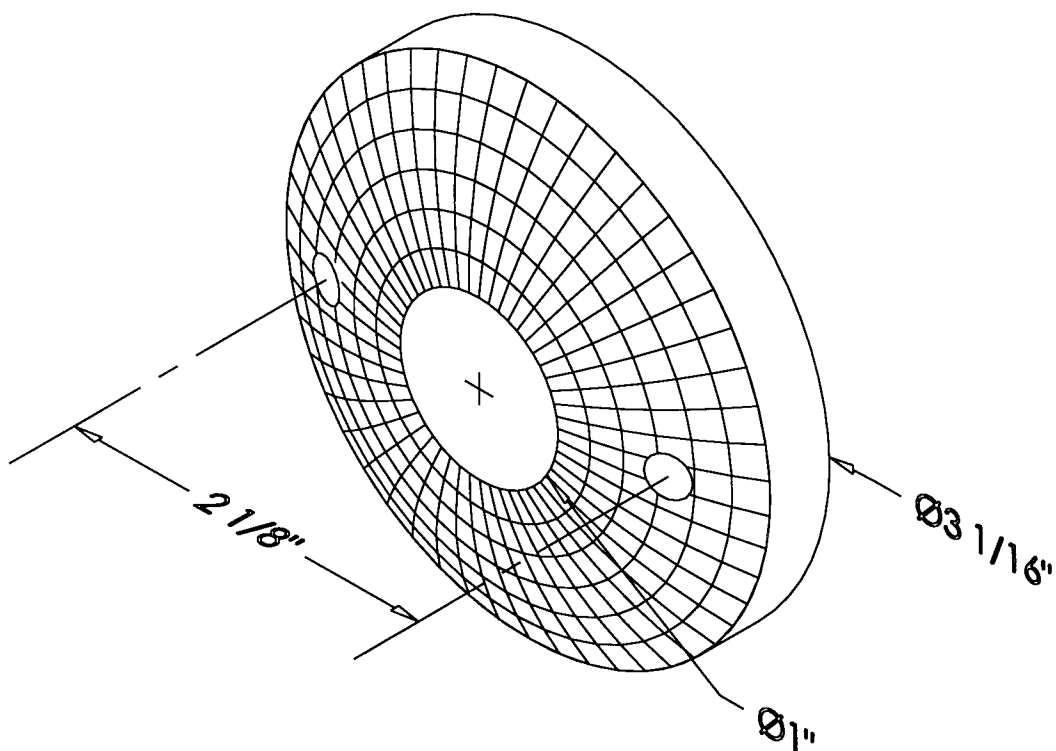
BASCO TECHNICAL DATA SHEET

1204B

5/27/99

SHOWER ROD
END FLANGES

EXPOSED SCREW
POLISHED STAINLESS STEEL



Flange has a hole diameter of 1" and an outer diameter of 3/16".
Screw holes are 1/4" in diameter and are spaced at 2 2/16" apart.
Flange sits at a depth of 11/16".