

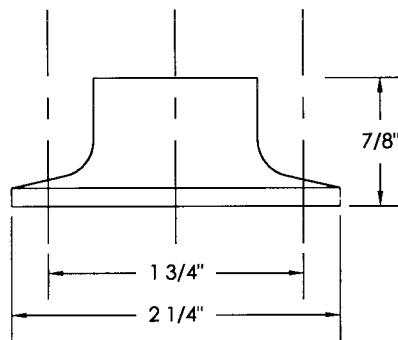
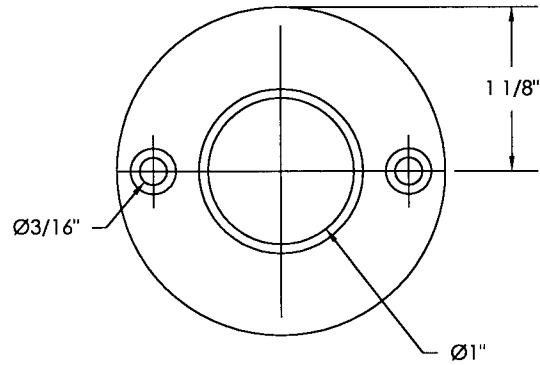
BASCO TECHNICAL DATA SHEET

1203

5/25/99

SHOWER ROD END
FLANGES

EXPOSED SCREW
CHROME PLATED CAST
ZINC

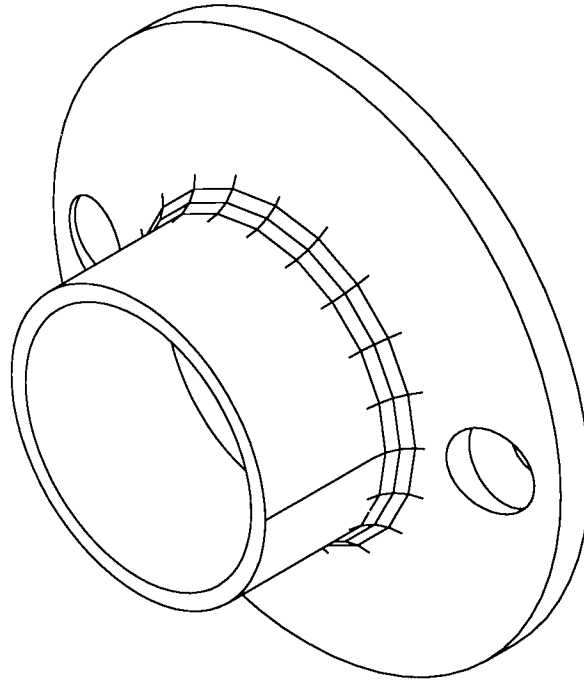


BASCO TECHNICAL DATA SHEET

1203
5/25/99

SHOWER ROD END
FLANGES

EXPOSED SCREW
CHROME PLATED CAST
ZINC



Flange has a hole diameter of 1" and an overall diameter of 2 1/4". Sits at a depth of 7/8". Screw holes are 3/16" and are 1 3/4" apart.