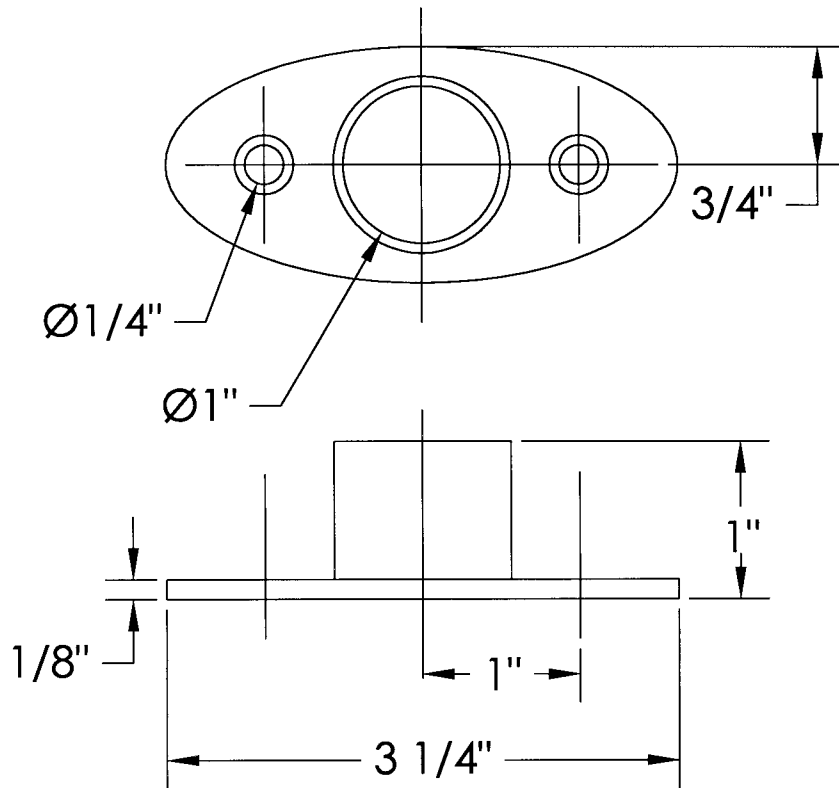


# BASCO TECHNICAL DATA SHEET

1202  
5/25/99

SHOWER ROD END  
FLANGES

EXTENDED EXPOSED  
SCREW, STAINLESS STEEL

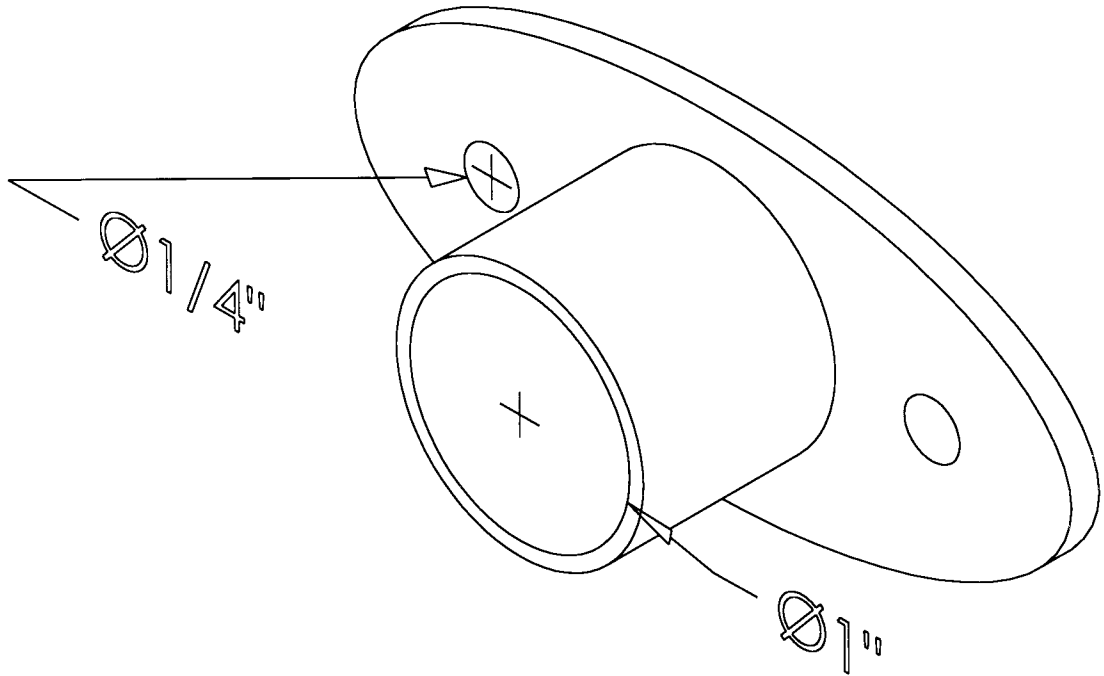


# BASCO TECHNICAL DATA SHEET

1202  
5/25/99

SHOWER ROD END  
FLANGES

EXTENDED EXPOSED  
SCREW, STAINLESS STEEL



One inch diameter hole. Flange sits at a depth of 1". Scw holes have a diamter of 1/4" and are 2" apart.