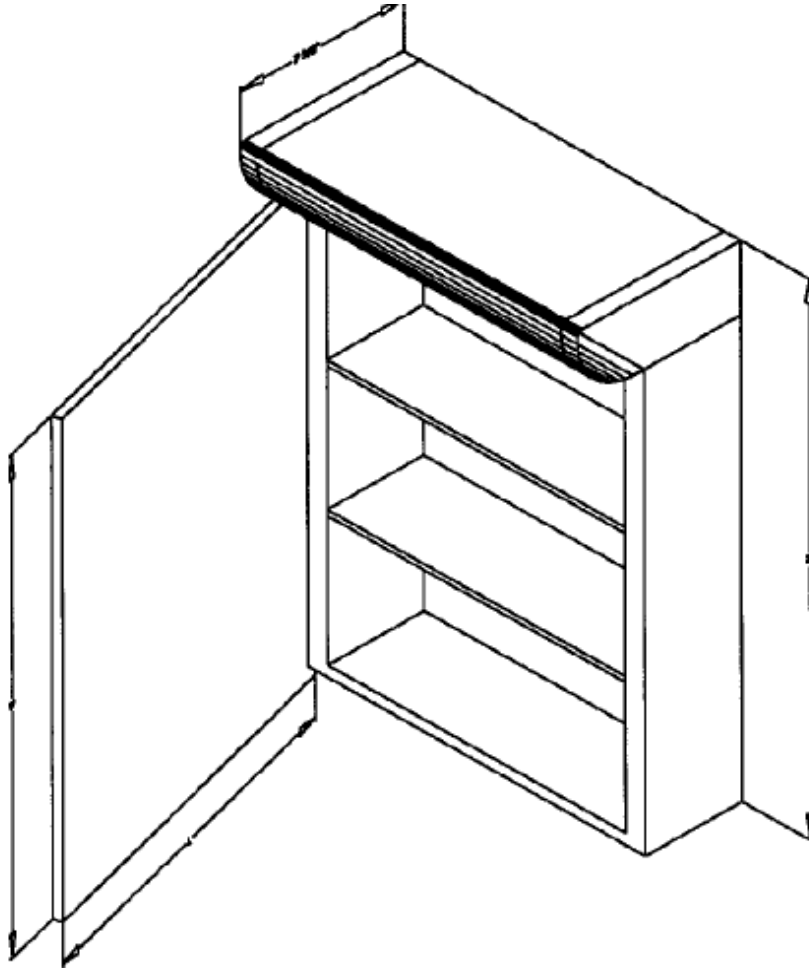


# BASCO TECHNICAL DATA SHEET

TL-SM SERIES  
5/18/99

SURFACE MOUNT WITH TOP  
LIGHT MODELS



Model	Overall Size (W x H x D)	Mirror Size
TL-SM-371-W	16 1/8" x 23 1/2" x 7 3/8"	16 1/8" x 20 1/4"
TL-SM-373-W	16 1/8" x 33 1/2" x 7 3/8"	16 1/8" x 30 1/4"
TL-SM-378-W	18 1/8" x 39 1/2" x 7 3/8"	18 1/8" x 36 1/4"

**BODY:** HEAVY 20 GAUGE PRIME SHEETS OF COLD ROLLED STEEL.

**DOOR:** HEAVY 20 GAUGE PRIME COLD ROLLED STEEL. EQUIPPED WITH MAGNETIC CATCH(S) AND RUBBER DOOR SILENCERS. DOOR MOUNTED WITH A FULL LENGTH PIANO HINGE AND IS FIELD REMOVEABLE AND REPLACEABLE.

**FINISH:** BONDERIZED AFTER FORMING TO RESIST RUST AND SPRAYED WITH A SPECIAL WHITE ENAMEL, BAKED ON AT HIGH TEMPERATURE FOR DURABILITY.

**MIRRORS:** FIRST QUALITY PLATE GLASS. WITH TWO COATS OF SILVER, THEN ELECTROLYTICALLY COPPER CLAD AS DEFINED IN U.S. COMMERCIAL STANDARD CS-27-36. WARRENTED FOR 5 YEARS AGAINST SILVERING DEFECTS.

**SHELVES:** GLASS, ADJUSTABLE 1/4" THICK WITH POLISHED FRONT EDGE.

**SHELF BRACKETS:** ALUMINUM SHELF BRACKETS ARE REMOVEABLE, ADJUSTABLE AND LOCK IN PLACE.

**DOOR STOP:** STOP HINGE.

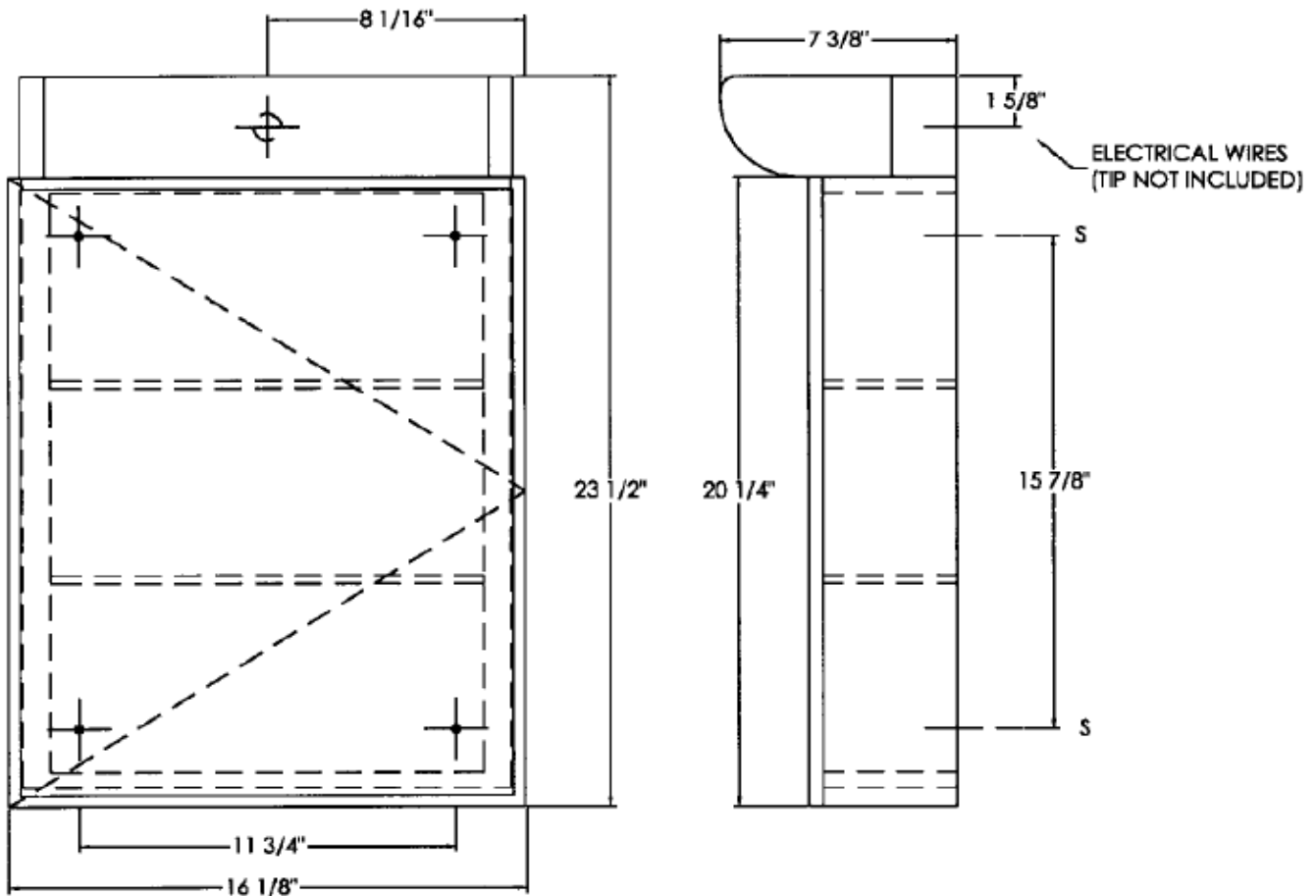
**LIGHT:** TWO (2) 60 WATT INCANDESCENT BULBS (NOT INCULDED). UL APPROVED.

# BASCO TECHNICAL DATA SHEET

TL-SM SERIES

5/18/99

SURFACE MOUNT WITH TOP  
LIGHT MODELS



Model	Overall Size (W x H x D)	Mirror Size
TL-SM-371-W	16 1/8" x 23 1/2" x 7 3/8"	16 1/8" x 20 1/4"
TL-SM-373-W	16 1/8" x 33 1/2" x 7 3/8"	16 1/8" x 30 1/4"
TL-SM-378-W	18 1/8" x 39 1/2" x 7 3/8"	18 1/8" x 36 1/4"

**BODY:** HEAVY 20 GAUGE PRIME SHEETS OF COLD ROLLED STEEL.

**DOOR:** HEAVY 20 GAUGE PRIME COLD ROLLED STEEL. EQUIPPED WITH MAGNETIC CATCH(S) AND RUBBER DOOR SILENCERS. DOOR MOUNTED WITH A FULL LENGTH PIANO HINGE AND IS FIELD REMOVEABLE AND REPLACEABLE.

**FINISH:** BONDERIZED AFTER FORMING TO RESIST RUST AND SPRAYED WITH A SPECIAL WHITE ENAMEL, BAKED ON AT HIGH TEMPERATURE FOR DURABILITY.

**MIRRORS:** FIRST QUALITY PLATE GLASS. WITH TWO COATS OF SILVER, THEN ELECTROLYTICALLY COPPER CLAD AS DEFINED IN U.S. COMMERCIAL STANDARD CS-27-36. WARRENTIEED FOR 5 YEARS AGAINST SILVERING DEFECTS.

**SHELVES:** GLASS, ADJUSTABLE 1/4" THICK WITH POLISHED FRONT EDGE.

**SHELF BRACKETS:** ALUMINUM SHELF BRACKETS ARE REMOVEABLE, ADJUSTABLE AND LOCK IN PLACE.

**DOOR STOP:** STOP HINGE.

**LIGHT:** TWO (2) 60 WATT INCANDESCENT BULBS (NOT INCULDED). UL APPROVED.