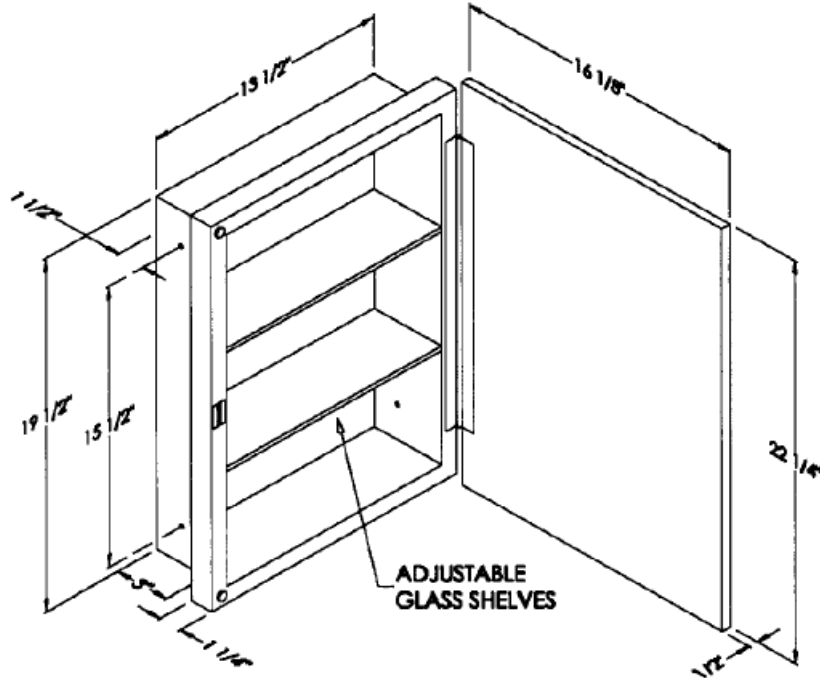


# BASCO TECHNICAL DATA SHEET

RECESSED SERIES  
7/1/99

3" RECESSED MODELS



MODEL 372P-W SHOWN

Polished Stainless Steel Frame	Frameless Polished Edge Mirror	Beveled Frameless Polished Edge Mirror	Overall Size (W x H)	Wall Opening (W x H x D)	Mirror Type	Glass Shelves
360-W	N/A	N/A	14 1/8" X 20 1/4"	12" X 18" X 3"	1/8" Plate	2
370-W	N/A	N/A	12 1/8" X 36 1/4"	10" X 34" X 3"	1/8" Plate	4
371-W	N/A	N/A	16 1/8" X 22 1/4"	14" X 18" X 3"	1/8" Plate	2
N/A	PE360P-W	BV360P-W	14 1/8" X 20 1/4"	12" X 18" X 3"	3/16" Plate	2
N/A	PE370P-W	BV370P-W	12 1/8" X 36 1/4"	10" X 34" X 3"	3/16" Plate	4
N/A	PE371P-W	BV371P-W	16 1/8" X 22 1/4"	14" X 18" X 3"	3/16" Plate	2
372P-W	PE372P-W	BV372P-W	16 1/8" X 22 1/4"	14" X 20" X 3"	3/16" Plate	2
373P-W	PE373P-W	BV373P-W	16 1/8" X 30 1/4"	14" X 28" X 3"	3/16" Plate	3
374P-W	PE374P-W	BV374P-W	18 1/8" X 24 1/4"	16" X 22" X 3"	3/16" Plate	3
375P-W	PE375P-W	BV375P-W	16 1/8" X 26 1/4"	14" X 24" X 3"	3/16" Plate	3
376P-W	PE376P-W	BV376P-W	20 1/8" X 26 1/4"	18" X 24" X 3"	3/16" Plate	3
377P-W	PE377P-W	BV377P-W	16 1/8" X 36 1/4"	14" X 34" X 3"	3/16" Plate	4
378P-W	PE378P-W	BV378P-W	18 1/8" X 36 1/4"	16" X 34" X 3"	3/16" Plate	4
379P-W	PE379P-W	BV379P-W	18 1/8" X 42 1/4"	16" X 40" X 3"	3/16" Plate	4
380P-W	PE380P-W	BV380P-W	18 1/8" X 60 1/4"	16" X 58" X 3"	3/16" Plate	5
381P-W	PE381P-W	BV381P-W	18 1/8" X 30 1/4"	16" X 28" X 3"	3/16" Plate	3
390P-W	PE390P-W	BV390P-W	24 1/8" X 30 1/4"	22" X 28" X 3"	3/16" Plate	4
392P-W	PE392P-W	BV392P-W	24 1/8" X 36 1/4"	22" X 34" X 3"	3/16" Plate	4

**BODY:** HEAVY 20 GAUGE PRIME SHEETS OF COLD ROLLED STEEL

**DOOR:** HEAVY 20 GAUGE PRIME COLD ROLLED STEEL EQUIPPED WITH MAGNETIC CATCH(S) AND RUBBER DOOR SILENCERS. DOOR MOUNTED WITH A FULL LENGTH PIANO HINGE AND IS FIELD REMOVEABLE AND REPLACEABLE.

**FINISH:** BONDERIZED AFTER FORMING TO RESIST RUST AND SPRAYED WITH A SPECIAL WHITE ENAMEL, BAKED ON AT HIGH TEMPERATURE FOR DURABILITY.

**MIRRORS:** FIRST QUALITY PLATE GLASS, WITH TWO COATS OF SILVER. THEN ELECTROLYTICALLY COPPER CLAD AS DEFINED IN U.S. COMMERCIAL STANDARD CS-27-36. WARRANTIED FOR 5 YEARS AGAINST SILVERING DEFECTS.

**SHELVES:** GLASS, ADJUSTABLE 1/4" THICK WITH POLISHED FRONT EDGE.

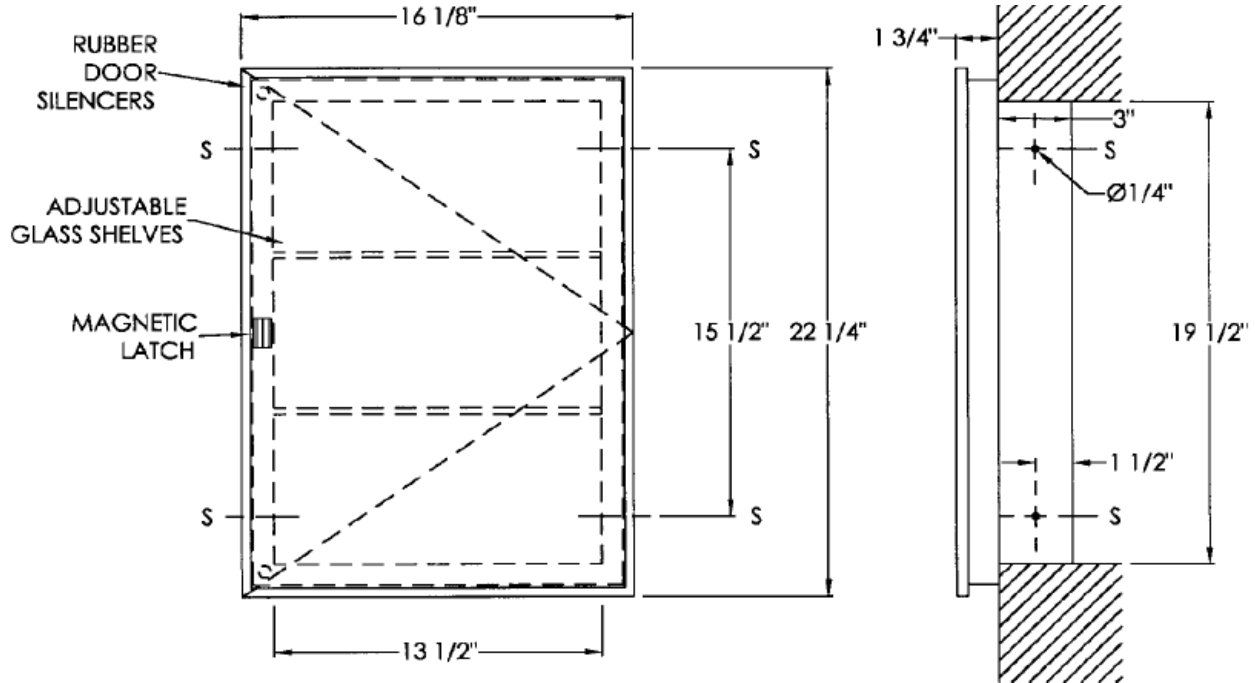
**SHELF BRACKETS:** ALUMINUM SHELF BRACKETS ARE REMOVEABLE AND ADJUSTABLE AND LOCK IN PLACE.

**DOOR STOP:** STOP HINGE-REVERSIBLE SWING DOOR.

# BASCO TECHNICAL DATA SHEET

RECESSED SERIES  
7/1/99

3" RECESSED MODELS



MODEL 372P-W SHOWN

Polished Stainless Steel Frame	Frameless Polished Edge Mirror	Beveled Frameless Polished Edge Mirror	Overall Size (W x H)	Wall Opening (W x H x D)	Mirror Type	Glass Shelves
360-W	N/A	N/A	14 1/8" X 20 1/4"	12" X 18" X 3"	1/8" Plate	2
370-W	N/A	N/A	12 1/8" X 36 1/4"	10" X 34" X 3"	1/8" Plate	4
371-W	N/A	N/A	16 1/8" X 22 1/4"	14" X 18" X 3"	1/8" Plate	2
N/A	PE360P-W	BV360P-W	14 1/8" X 20 1/4"	12" X 18" X 3"	3/16" Plate	2
N/A	PE370P-W	BV370P-W	12 1/8" X 36 1/4"	10" X 34" X 3"	3/16" Plate	4
N/A	PE371P-W	BV371P-W	16 1/8" X 22 1/4"	14" X 18" X 3"	3/16" Plate	2
372P-W	PE372P-W	BV372P-W	16 1/8" X 22 1/4"	14" X 20" X 3"	3/16" Plate	2
373P-W	PE373P-W	BV373P-W	16 1/8" X 30 1/4"	14" X 28" X 3"	3/16" Plate	3
374P-W	PE374P-W	BV374P-W	18 1/8" X 24 1/4"	16" X 22" X 3"	3/16" Plate	3
375P-W	PE375P-W	BV375P-W	16 1/8" X 26 1/4"	14" X 24" X 3"	3/16" Plate	3
376P-W	PE376P-W	BV376P-W	20 1/8" X 26 1/4"	18" X 24" X 3"	3/16" Plate	3
377P-W	PE377P-W	BV377P-W	16 1/8" X 36 1/4"	14" X 34" X 3"	3/16" Plate	4
378P-W	PE378P-W	BV378P-W	18 1/8" X 36 1/4"	16" X 34" X 3"	3/16" Plate	4
379P-W	PE379P-W	BV379P-W	18 1/8" X 42 1/4"	16" X 40" X 3"	3/16" Plate	4
380P-W	PE380P-W	BV380P-W	18 1/8" X 60 1/4"	16" X 58" X 3"	3/16" Plate	5
381P-W	PE381P-W	BV381P-W	18 1/8" X 30 1/4"	16" X 28" X 3"	3/16" Plate	3
390P-W	PE390P-W	BV390P-W	24 1/8" X 30 1/4"	22" X 28" X 3"	3/16" Plate	4
392P-W	PE392P-W	BV392P-W	24 1/8" X 36 1/4"	22" X 34" X 3"	3/16" Plate	4

**BODY:** HEAVY 20 GAUGE PRIME SHEETS OF COLD ROLLED STEEL

**DOOR:** HEAVY 20 GAUGE PRIME COLD ROLLED STEEL EQUIPPED WITH MAGNETIC CATCH(S) AND RUBBER DOOR SILENCERS. DOOR MOUNTED WITH A FULL LENGTH PIANO HINGE AND IS FIELD REMOVEABLE AND REPLACEABLE.

**FINISH:** BONDERIZED AFTER FORMING TO RESIST RUST AND SPRAYED WITH A SPECIAL WHITE ENAMEL, BAKED ON AT HIGH TEMPERATURE FOR DURABILITY.

**MIRRORS:** FIRST QUALITY PLATE GLASS, WITH TWO COATS OF SILVER. THEN ELECTROLYTICALLY COPPER CLAD AS DEFINED IN U.S. COMMERCIAL STANDARD CS-27-36. WARRANTED FOR 5 YEARS AGAINST SILVERING DEFECTS.

**SHELVES:** GLASS, ADJUSTABLE 1/4" THICK WITH POLISHED FRONT EDGE.

**SHELF BRACKETS:** ALUMINUM SHELF BRACKETS ARE REMOVEABLE AND ADJUSTABLE AND LOCK IN PLACE.

**DOOR STOP:** STOP HINGE-REVERSIBLE SWING DOOR.