

BASCO TECHNICAL DATA SHEET

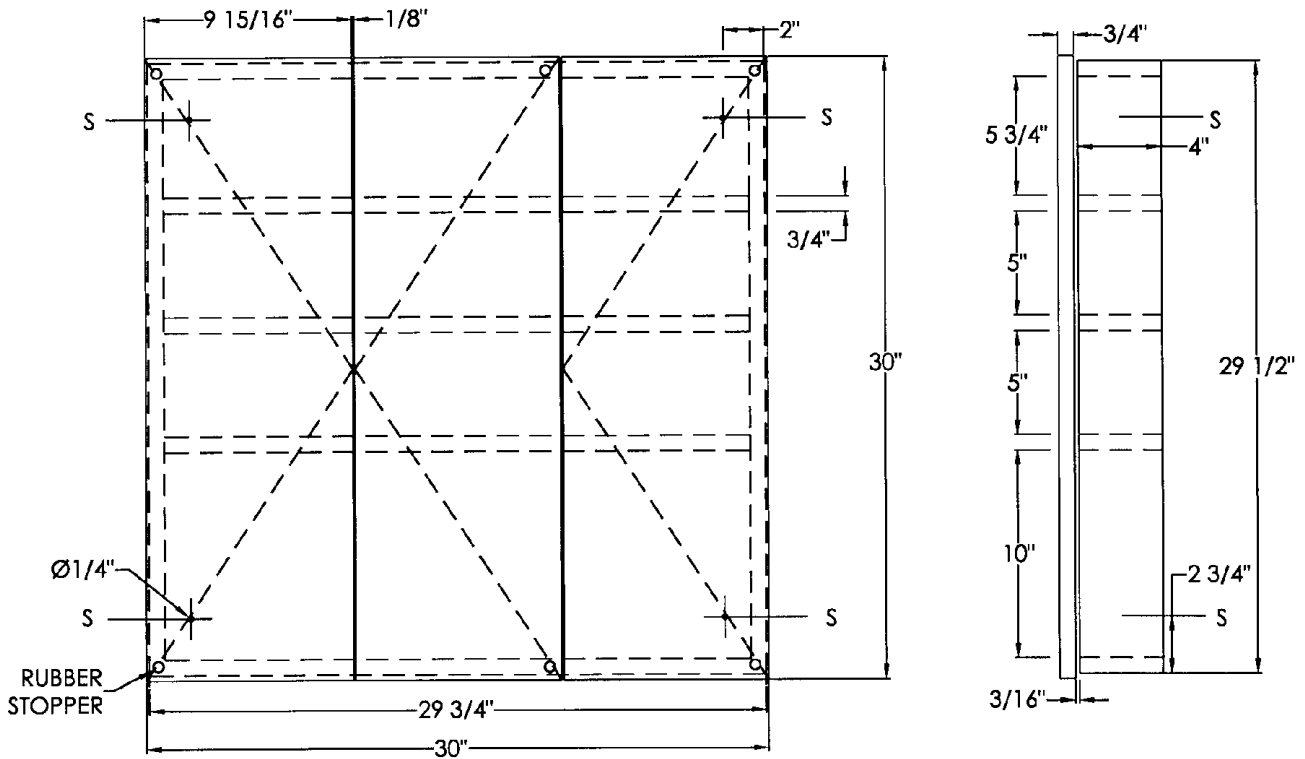
SM SERIES

TRI-VIEW MEDICINE
CABINET

SURFACE MOUNTED

5/20/99

MODEL F3030SM-W SHOWN



MIRROR SIZE W X H	CABINET SIZE w X h	POLISHED STAINLESS STEEL TRIM	FRAMELESS POLISHED EDGES	FRAMELESS BEVELED EDGES	FIXED METAL SHELVES
24" X 24"	23 3/4" X 23 1/2"	S2424SM-W	F2424SM-W	BV2424SM-W	2
24" X 30"	23 3/4" X 29 1/2"	S2430SM-W	F2430SM-W	BV2430SM-W	3
30" X 24"	29 3/4" X 23 1/2"	S3024SM-W	F3024SM-W	BV3024SM-W	2
30" X 30"	29 3/4" X 29 1/2"	S3030SM-W	F3030SM-W	BV3030SM-W	3
36" X 30"	35 3/4" X 29 1/2"	S3630SM-W	F3630SM-W	BV3630SM-W	3
36" X 36"	35 3/4" X 35 1/2"	S3636SM-W	F3636SM-W	BV3636SM-W	4
48" X 30"	47 3/4" X 29 1/2"	S4830SM-W	F4830SM-W	BV4830SM-W	3
48" X 36"	47 3/4" X 35 1/2"	S4836SM-W	F4836SM-W	BV4836SM-W	4
54" X 36"	53 3/4" X 35 1/2"	S5436SM-W	F5436SM-W	BV5436SM-W	4
60" X 36"	59 3/4" X 35 1/2"	S6036SM-W	F6036SM-W	BV6036SM-W	4
72" X 36"	71 3/4" X 35 1/2"	S7236SM-W	F7236SM-W	BV7236SM-W	4

Body: Heavy 20 gauge prime cold rolled steel

Door: Heavy 20 gauge cold rolled steel. Equipped with invisible European Style cabinet hinges, and rubber door stoppers

Finish: Bonderized after forming to resist rust and sprayed with a special white color enamel, baked on at high temperature for durability.

Mirrors: 3/16" First Quality plate glass, set on vinyl glazing tape.

Shelves: Fixed, 3/4" thick.