

BASCO TECHNICAL DATA SHEET

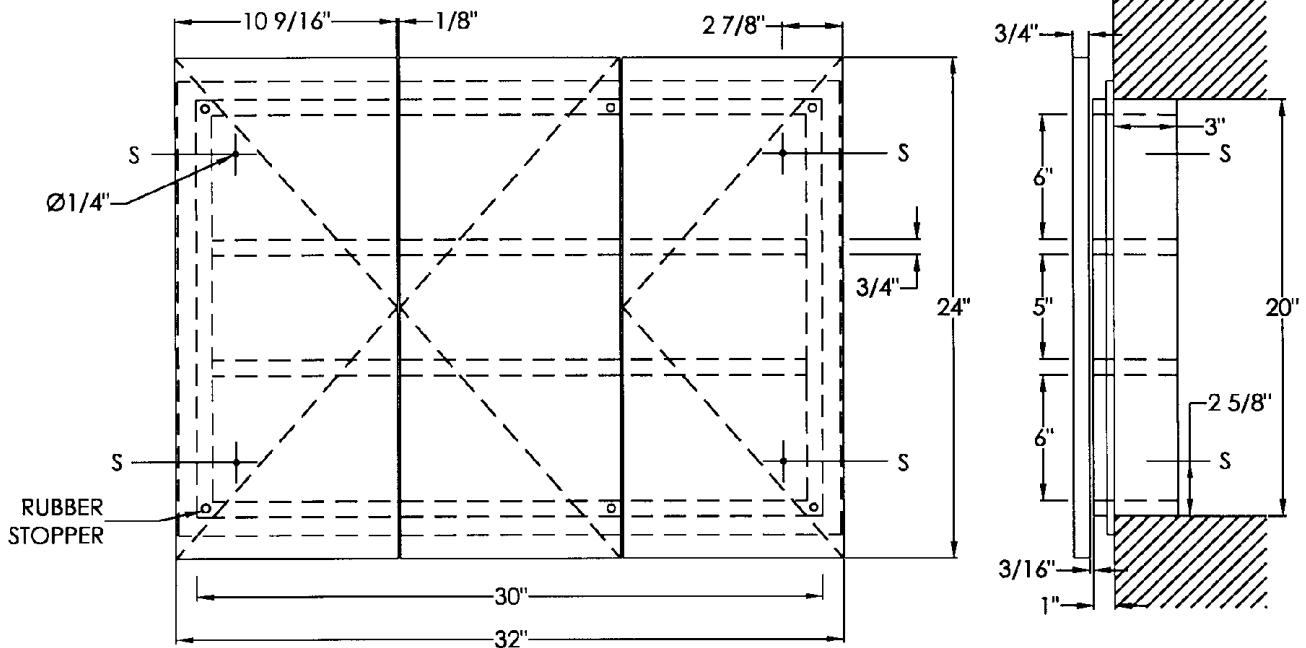
PR SERIES

5/21/99

TRI-VIEW MEDICINE
CABINET

PARTIALLY RECESSED

MODEL F3224PR-W SHOWN



SIZE W X H	WALL OPENING w X h	POLISHED STAINLESS STEEL TRIM	FRAMELESS POLISHED EDGES	FRAMELESS BEVELED EDGES	FIXED METAL SHELVES
24" X 24"	23 3/4" X 23 1/2"	S2424PR-W	F2424PR-W	BV2424PR-W	2
24" X 30"	23 3/4" X 29 1/2"	S2430PR-W	F2430PR-W	BV2430PR-W	3
30" X 24"	29 3/4" X 23 1/2"	S3024PR-W	F3024PR-W	BV3024PR-W	2
32" X 24"	30" X 20"	S3224PR-W	F3224PR-W	BV3224PR-W	2
30" X 30"	29 3/4" X 29 1/2"	S3030PR-W	F3030PR-W	BV3030PR-W	3
36" X 30"	35 3/4" X 29 1/2"	S3630PR-W	F3630PR-W	BV3630PR-W	3
36" X 36"	35 3/4" X 35 1/2"	S3636PR-W	F3636PR-W	BV3636PR-W	4
48" X 30"	47 3/4" X 29 1/2"	S4830PR-W	F4830PR-W	BV4830PR-W	3
48" X 36"	47 3/4" X 35 1/2"	S4836PR-W	F4836PR-W	BV4836PR-W	4
54" X 36"	53 3/4" X 35 1/2"	S5436PR-W	F5436PR-W	BV5436PR-W	4
60" X 36"	59 3/4" X 35 1/2"	S6036PR-W	F6036PR-W	BV6036PR-W	4
72" X 36"	71 3/4" X 35 1/2"	S7236PR-W	F7236PR-W	BV7236PR-W	4

Body: Heavy 20 gauge prime cold rolled steel

Door: Heavy 20 gauge cold rolled steel. Equipped with invisible European Style cabinet hinges, and rubber door stoppers

Finish: Bonderized after forming to resist rust and sprayed with a special white color enamel, baked on at high temperature for durability.

Mirrors: 3/16" First Quality plate glass, set on vinyl glazing tape.

Shelves: Fixed, 3/4" thick.