

BASCO TECHNICAL DATA SHEET

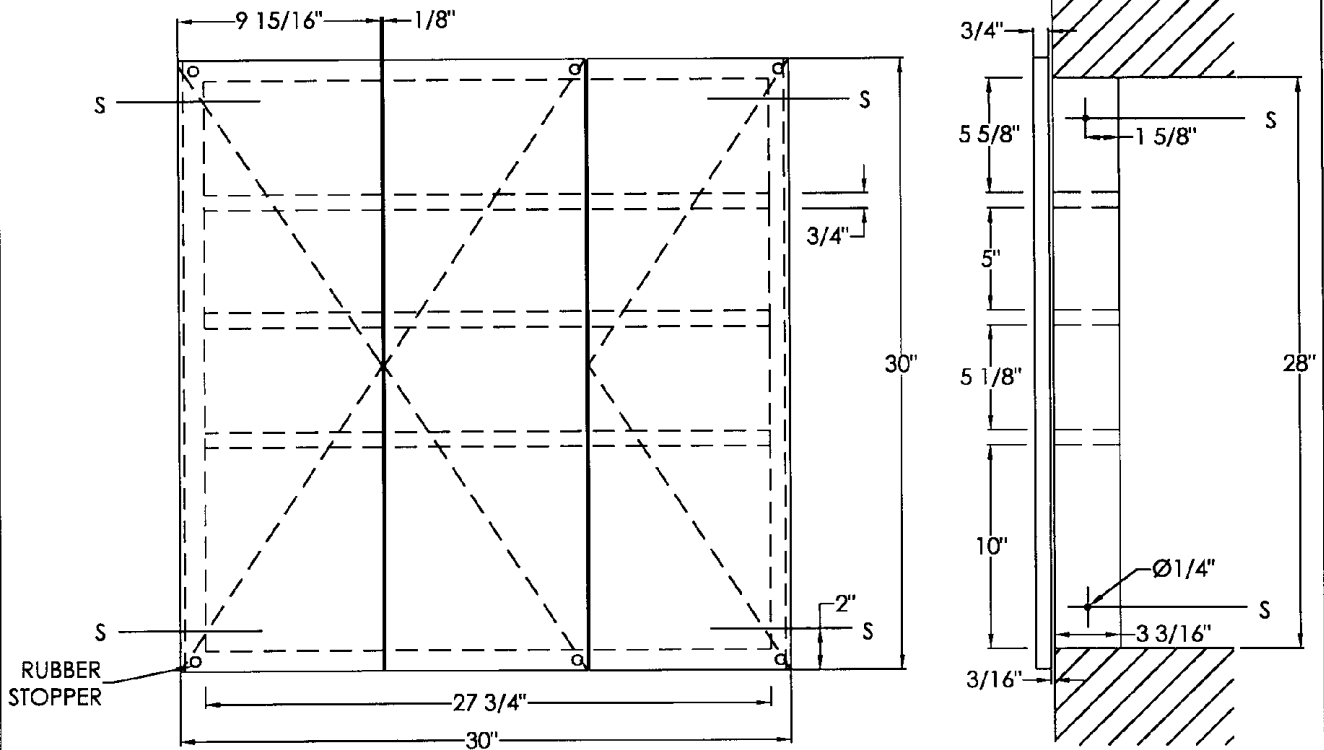
FR SERIES

5/20/99

TRI-VIEW MEDICINE
CABINET

FULLY RECESSED

MODEL F3030FR-W SHOWN



SIZE W X H	WALL OPENING w X h	POLISHED STAINLESS STEEL TRIM	FRAMELESS POLISHED EDGES	FRAMELESS BEVELED EDGES	FIXED METAL SHELVES	OPTIONAL ADJUSTABLE GLASS SHELVES
24" X 24"	21 3/4" X 22"	S2424FR-W	F2424FR-W	BV2424FR-W	2	2
24" X 30"	21 3/4" X 28"	S2430FR-W	F2430FR-W	BV2430FR-W	3	3
24" X 36"	21 3/4" X 34"	S2436FR-W	F2436FR-W	BV2436FR-W	4	4
30" X 24"	27 3/4" X 22"	S3024FR-W	F3024FR-W	BV3024FR-W	2	2
30" X 30"	27 3/4" X 28"	S3030FR-W	F3030FR-W	BV3030FR-W	3	3
36" X 30"	33 3/4" X 28"	S3630FR-W	F3630FR-W	BV3630FR-W	3	3
36" X 36"	33 3/4" X 34"	S3636FR-W	F3636FR-W	BV3636FR-W	4	4
48" X 30"	45 3/4" X 28"	S4830FR-W	F4830FR-W	BV4830FR-W	3	N/A
48" X 36"	45 3/4" X 34"	S4836FR-W	F4836FR-W	BV4836FR-W	4	N/A
54" X 36"	51 3/4" X 34"	S5436FR-W	F5436FR-W	BV5436FR-W	4	N/A
60" X 36"	57 3/4" X 34"	S6036FR-W	F6036FR-W	BV6036FR-W	4	N/A
72" X 36"	69 3/4" X 34"	S7236FR-W	F7236FR-W	BV7236FR-W	4	N/A

Body: Heavy 20 gauge prime cold rolled steel

Door: Heavy 20 gauge cold rolled steel. Equipped with invisible European Style cabinet hinges, and rubber door stoppers

Finish: Bonderized after forming to resist rust and sprayed with a special white color enamel, baked on at high temperature for durability.

Mirrors: 3/16" First Quality plate glass, set on vinyl glazing tape.

Shelves: Fixed, 3/4" thick.