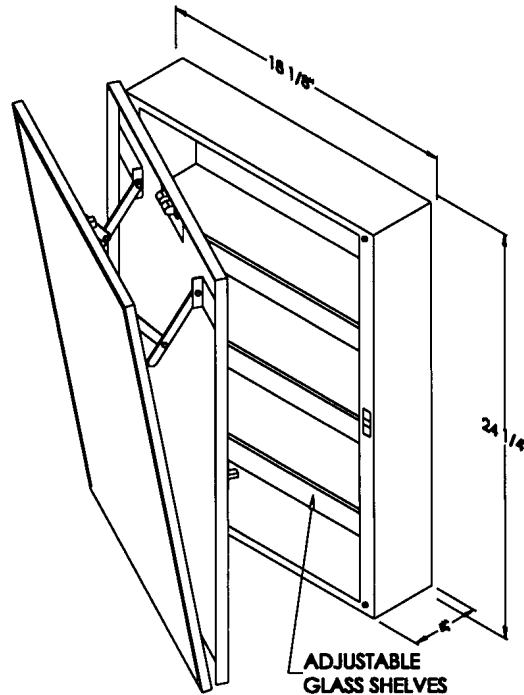


# BASCO TECHNICAL DATA SHEET

# ATM SERIES

6/30/99

MEDICINE CABINET  
WITH TILTING MIRROR



MODEL SM374P-ATM-W SHOWN  
WITH CABINET OPEN AND MIRROR  
TILTED

<u>MODEL NUMBER</u>	<u>WALL OPENING</u>	<u>OVERALL SIZE</u>	<u>GLASS SHELVES</u>
372P-ATM-W	14" X 20" X 3"	16 1/8" X 22 1/4"	2
SM372P-ATM-W	SURFACE MTD.	16 1/8" X 22 1/4" X 5 3/4"	2
374P-ATM-W	16" X 22" X 3"	18 1/8" X 24 1/4"	3
SM374P-ATM-W	SURFACE MTD.	18 1/8" X 24 1/4" X 5 3/4"	3
375P-ATM-W	14" X 24" X 3"	16 1/8" X 26 1/4"	3
SM375P-ATM-W	SURFACE MTD.	16 1/8" X 26 1/4" X 5 3/4"	3

**BODY:** 20 GAUGE PRIME SHEETS OF COLD ROLLED STEEL.

**FINISH:** BONDERIZED AFTER FORMING TO RESIST RUST AND SPRAYED WITH A SPECIAL WHITE ENAMEL, BAKED ON AT HIGH TEMPERATURE FOR DURABILITY.  
**MIRROR:** FIRST QUALITY PLATE GLASS, WITH TWO COATS OF SILVER, THEN ELECTROLYTICALLY COPPER CLAD AS DEFINED IN U.S. COMMERCIAL STANDARD CS-27-36. WARRENTEED FOR 5 YEARS AGAINST SILVERING DEFECTS.

**FRAME:** STAINLESS STEEL.

**SHELVES:** GLASS, ADJUSTABLE.

**DOOR STOP:** STOP HINGE.

THIS QUALITY MEDICINE CABINET IS DESIGNED FOR THE USE BY HANDICAPPED PERSONS. THE MEDICINE CABINET MIRROR MAY BE USED IN THE UPRIGHT POSITION OR TILTED DOWN TO ACCOMODATE A SEATED PERSON. THE CABINET DOOR IS EQUIPPED WITH A LATCH TO KEEP THE DOOR CLOSED WHEN MIRROR IS TILTED DOWN. THE TILTED MIRROR IS SECURED BY AN ELBOW HINGE AND A STAINLESS STEEL PIANO HINGE AT THE BOTTOM.

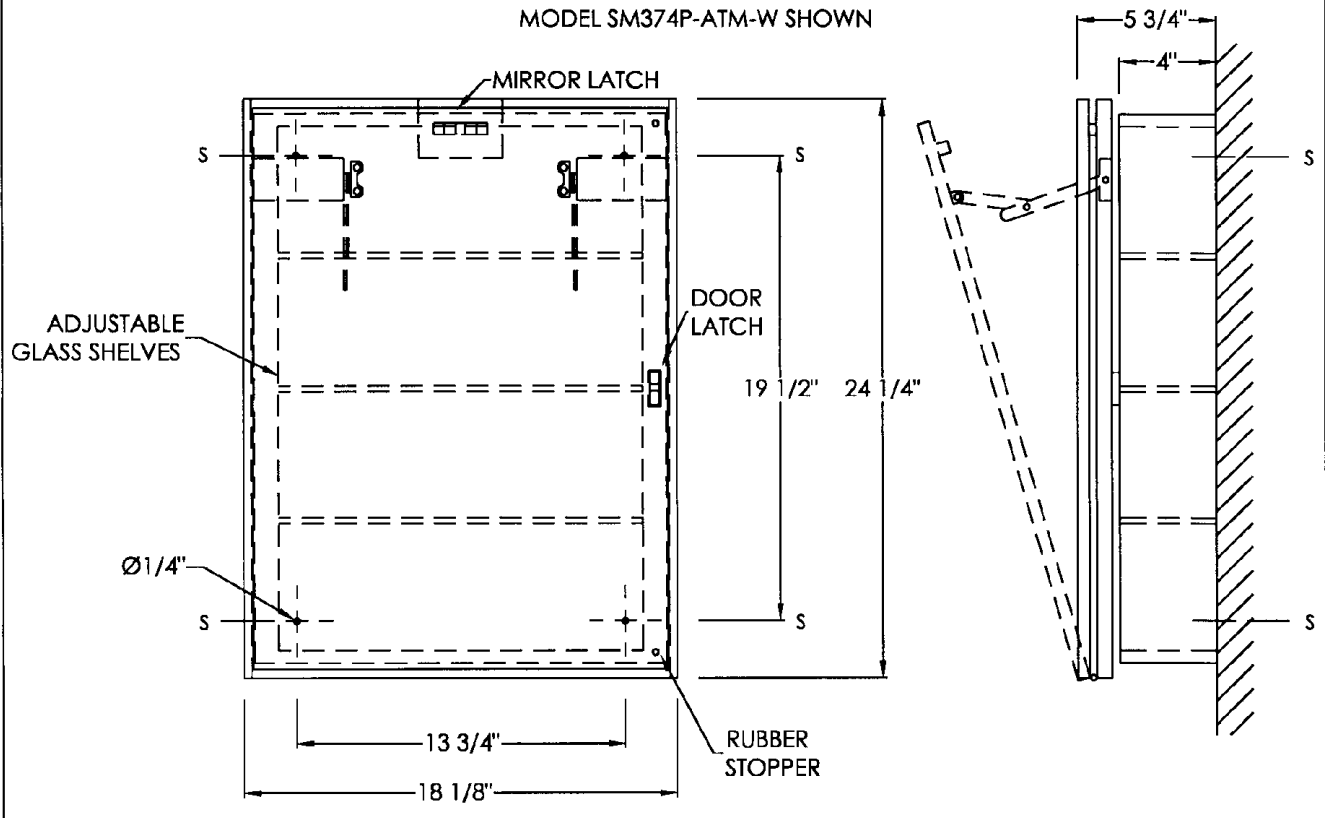
# BASCO TECHNICAL DATA SHEET

# ATM SERIES

6/30/99

MEDICINE CABINET  
WITH TILTING MIRROR

MODEL SM374P-ATM-W SHOWN



<u>MODEL NUMBER</u>	<u>WALL OPENING</u>	<u>OVERALL SIZE</u>	<u>GLASS SHELVES</u>
372P-ATM-W	14" X 20" X 3"	16 1/8" X 22 1/4"	2
SM372P-ATM-W	SURFACE MTD.	16 1/8" X 22 1/4" X 5 3/4"	2
374P-ATM-W	16" X 22" X 3"	18 1/8" X 24 1/4"	3
SM374P-ATM-W	SURFACE MTD.	18 1/8" X 24 1/4" X 5 3/4"	3
375P-ATM-W	14" X 24" X 3"	16 1/8" X 26 1/4"	3
SM375P-ATM-W	SURFACE MTD.	16 1/8" X 26 1/4" X 5 3/4"	3

**BODY:** 20 GAUGE PRIME SHEETS OF COLD ROLLED STEEL.

**FINISH:** BONDERIZED AFTER FORMING TO RESIST RUST AND SPRAYED WITH A SPECIAL WHITE ENAMEL, BAKED ON AT HIGH TEMPERATURE FOR DURABILITY.

**MIRROR:** FIRST QUALITY PLATE GLASS, WITH TWO COATS OF SILVER, THEN ELECTROLYTICALLY COPPER CLAD AS DEFINED IN U.S. COMMERCIAL STANDARD CS-27-36. WARRENTIIEED FOR 5 YEARS AGAINST SILVERING DEFECTS.

**FRAME:** STAINLESS STEEL.

**SHELVES:** GLASS, ADJUSTABLE.

**DOOR STOP:** STOP HINGE.

THIS QUALITY MEDICINE CABINET IS DESIGNED FOR THE USE BY HANDICAPPED PERSONS. THE MEDICINE CABINET MIRROR MAY BE USED IN THE UPRIGHT POSITION OR TILTED DOWN TO ACCOMODATE A SEATED PERSON. THE CABINET DOOR IS EQUIPPED WITH A LATCH TO KEEP THE DOOR CLOSED WHEN MIRROR IS TILTED DOWN. THE TILTED MIRROR IS SECURED BY AN ELBOW HINGE AND A STAINLESS STEEL PIANO HINGE AT THE BOTTOM.