

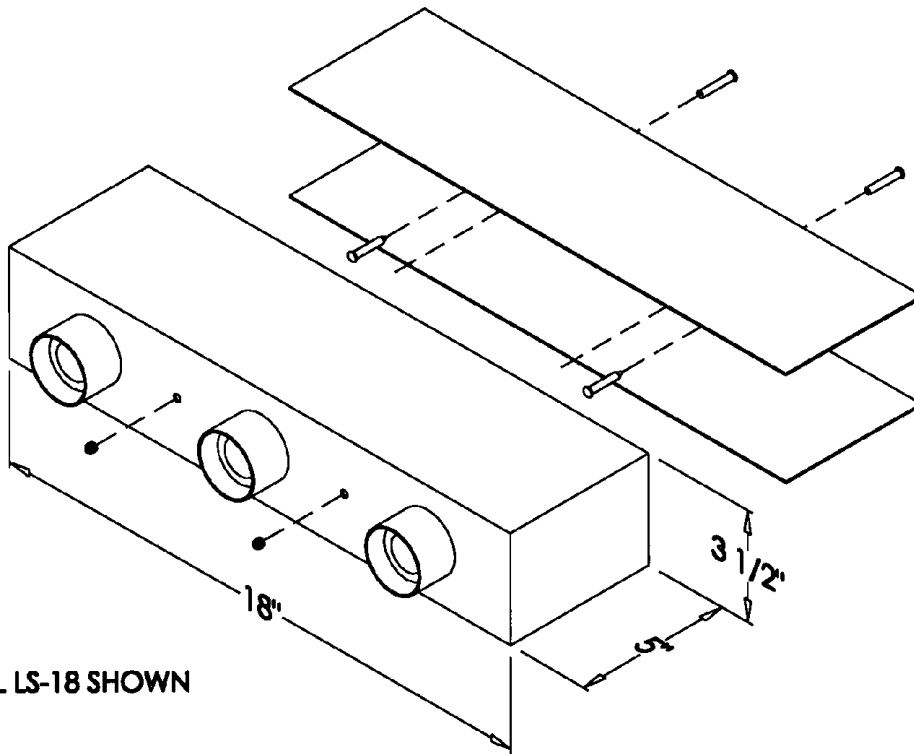
BASCO TECHNICAL DATA SHEET

LS SERIES

LIGHT FIXTURE WITH
BRIGHT CHROME OR
POLISHED BRASS FINISH

5" DEPTH

7/6/99



MODEL LS-18 SHOWN

**OVERALL SIZE
W X H X D**

16" X 3 1/2" X 5"
18" X 3 1/2" X 5"
24" X 3 1/2" X 5"
30" X 3 1/2" X 5"
36" X 3 1/2" X 5"
48" X 3 1/2" X 5"
54" X 3 1/2" X 5"
60" X 3 1/2" X 5"
72" X 3 1/2" X 5"

**BRIGHT
CHROME MODEL**

LS-16
LS-18
LS-24
LS-30
LS-36
LS-48
LS-54
LS-60
LS-72

**POLISHED
BRASS MODEL**

LS-16PB
LS-18PB
LS-24PB
LS-30PB
LS-36PB
LS-48PB
LS-54PB
LS-60PB
LS-72PB

**NUMBER
OF BULBS**

3
3
4
5
5
6
7
8
9

BASCO'S LIGHTING FIXTURES ARE FABRICATED ENTIRELY OF 20 GAUGE STEEL, CHROME PLATED STEEL OR BRASS PLATED STEEL. HEAVY DUTY CONSTRUCTION ENSURES DURABILITY AND SAFETY. ALL FIXTURES ARE U.L. APPROVED. ALL FIXTURES USE G25 LAMPS (NOT INCLUDED). OPTIONAL CONVENIENCE OUTLETS AVAILABLE ADD SUFFIX "CO" TO PART NUMBERS LISTED.