

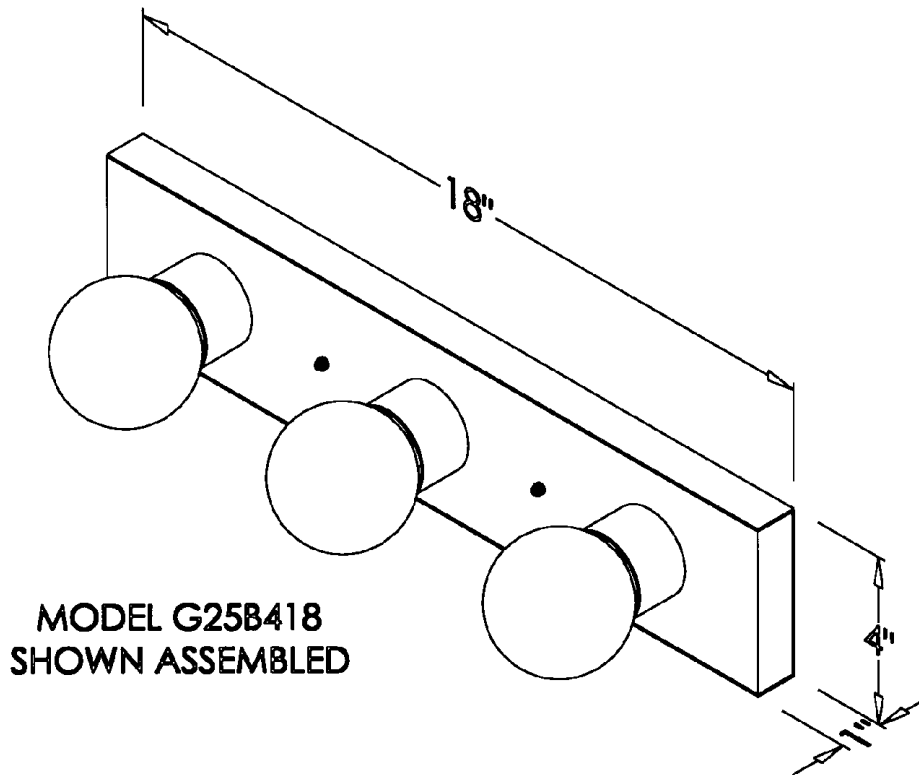
BASCO TECHNICAL DATA SHEET

G25B SERIES

LIGHT FIXTURE WITH
BRIGHT CHROME OR
POLISHED BRASS FINISH

1" DEPTH

7/2/99



OVERALL SIZE W X H X D	BRIGHT CHROME MODEL	POLISHED BRASS MODEL	NUMBER OF BULBS
13" X 4" X 1"	G25B413	G25B413PB	2
16" X 4" X 1"	G25B416	G25B416PB	3
18" X 4" X 1"	G25B418	G25B418PB	3
20" X 4" X 1"	G25B420	G25B420PB	4
24" X 4" X 1"	G25B424	G25B424PB	4
30" X 4" X 1"	G25B430	G25B430PB	5
36" X 4" X 1"	G25B436	G25B436PB	5
48" X 4" X 1"	G25B448	G25B448PB	6
54" X 4" X 1"	G25B454	G25B454PB	7
60" X 4" X 1"	G25B460	G25B460PB	8
72" X 4" X 1"	G25B472	G25B472PB	9

BASCO'S LIGHTING FIXTURES ARE FABRICATED ENTIRELY OF 20 GAUGE STEEL, CHROME PLATED STEEL OR BRASS PLATED STEEL. HEAVY DUTY CONSTRUCTION ENSURES DURABILITY AND SAFETY. ALL FIXTURES ARE U.L. APPROVED. ALL FIXTURES USE G25 LAMPS (NOT INCLUDED). OPTIONAL CONVENIENCE OUTLETS AVAILABLE ADD SUFFIX "CO" TO PART NUMBERS LISTED.