



BASCO INCORPORATED

GRAB BAR INSTALLATION INSTRUCTIONS

Included Materials

- One (1) straight or angled Grab Bar

Tools needed (not included)

- Drill (electric or manual)
- 1/8" wood or metal drill bit
- 1/4" masonry drill bit (for time walls)
- #12 x 2" pan head self-tapping screws
- Screwdriver
- Level

Safety

- Grab bars are ONLY as strong as the strength and rigidity of the material to which they are mounted.
- When drilling into the wall, exercise extreme care to avoid any electrical wiring or plumbing that may be located behind the wall. Older homes may NOT always fall in line with current housing codes and requirements. Make sure to verify where internal wiring is located in the wall so that no wires will interfere with the installation.
- Proper installation is extremely important. Special fasteners may be required if wood is NOT in the desired location. If in any doubt, stop and contact a qualified professional for safe installation.

Preparation

- Check local code for proper placement of Grab Bar to meet requirements such as from the ADA or the ANSI 117.1 Consumer Safety Requirements. Before installing the Grab Bar, prepare the area and clean the portion of wall that the Grab Bar will be installed onto.

BASCO, INCORPORATED

P.O. Box 237 / Bohemia / New York / 11716 / 631-567-4404 / Fax 631-567-4815 / Toll Free 1-800-835-4445

Dependable Service To The Construction Industry Since 1976

ROUGH INSTALLATION:

Determine where the Grab Bar will be mounted and install bracing to the rough-in framing to support the Grab Bar through the shower wall.

EXISTING WALL INSTALLATION:

Locate the stud behind the existing shower wall and determine where the Grab Bar can safely be mounted.

Installation

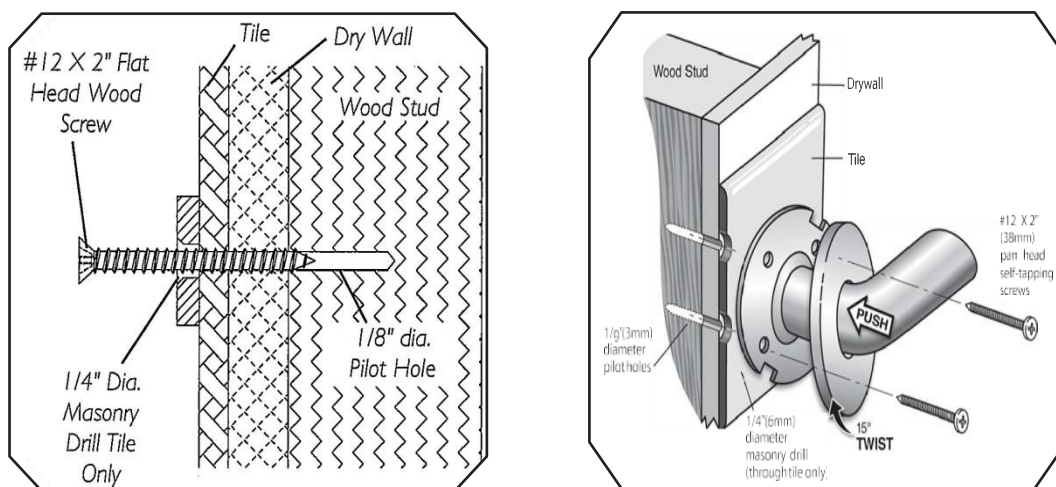
Step 1 - Position the mounting flanges and mark where the holes will be placed with a pencil or other utensil. Drill 1/8" pilot holes through the shower wall into the wood or metal stud.

NOTE: If the wall is tiled, drill through the tile ONLY with a 1/4" diameter masonry or ceramic tile drill bit and complete drilling the rest of the hole with the 1/8" bit.

Step 2 - Install the #12 x 2" Pan Head mounting screws through the Grab Bar mounting bracket and directly into the wood or metal stud or bracing.

Step 3 – Once the Grab Bar securely fastened to the wall, the final step is to install flanges. If your flange is an exposed type, there is no additional work to be done. If you have a concealed flange, use an allen wrench and 4 allen bolts to fasten the flange to the screw mount. If you have a Twist Lock flange, align the cover plate's locking tabs to the slots on the flange, push in towards the wall, and twist approximately 15° clockwise until locked into place.

Step 4 – If the Grab bar is installed inside a bathtub, shower, or other location where it will regularly get wet, use a generous amount of silicone caulk to prevent water from seeping into the mounting holes.



BASCO, INCORPORATED

P.O. Box 237 / Bohemia / New York / 11716 / 631-567-4404 / Fax 631-567-4815 / Toll Free 1-800-835-4445

Dependable Service To The Construction Industry Since 1976